

Miele

Operating and installation instructions



Frost-free freezer with ice/water dispenser F 1471 Vi

To avoid the risk of accidents or damage to the appliance, it is **essential** to read these instructions before it is installed and used for the first time.

en - GB, HK,

M.-Nr. 09 157 540

Contents

Description of the appliance	5
Caring for the environment	7
Warning and Safety instructions	8
How to save energy	14
Switching on and off	15
Operation	15
Switching off	16
Further settings	16
Switching off for longer periods of time	18
The correct temperature	19
Setting the temperature in the freezer	19
Temperature range	20
Temperature (Fahrenheit/Celsius)	20
Temperature display	21
Temperature and door alarm	22
Super freeze	24
Arranging the interior fittings	25
Moving the shelves	25
Top shelf	25
Moving the door basket	25
Freezer baskets	26
Freezing and storing food	27
Maximum freezing capacity	27
Freezing fresh food	27
Storing frozen food	27
Home freezing	28
Defrosting	29
Cooling drinks	30
Ice/water dispenser	31
Switching on the ice/water dispenser	31
Rinsing the pipework	31
Switching on the ice/water dispenser	32
Chilled water	33
Ice cubes and crushed ice	33
System lock	34
Lighting	34

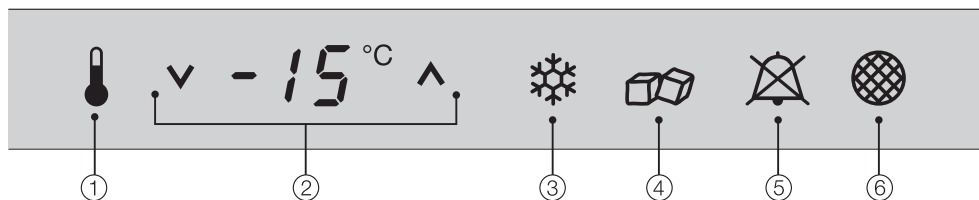
Switching off the ice/water dispenser	35
Settings mode for ice/water dispenser	35
Automatic defrost	37
Cleaning and care	38
Before cleaning	38
Cleaning the interior and accessories	38
Ice cube container	39
Drip tray	39
Ventilation gaps	40
Door seals	40
Problem solving guide . . ?	41
Water filter	47
Reminder to change the water filter	47
To change the water filter	48
To confirm that the water filter has been changed	49
Using an external water filter	49
Noises	50
After Sales / Guarantee	51
Mains water connection	52
Notes on connecting to the mains water supply	52
Preparing for plumbing the appliance into the mains water supply	52
Fitting the stainless steel hose to the appliance	54
Electrical connection	55
Installation advice	56
Location	56
Floor	58
Door hinging	58
Adjoining furniture/units	58
Ventilation	58
Side-by-side installation	59
Appliance door dimensions (opening angle 115°)	60
Building-in dimensions	61
Laying the electrical cabling and the pipework for the mains water supply	62
Door front dimensions	62
Installation	63

Contents

Tools and accessories required	63
Weight of the door front	64
Building into a peninsular run	64
Building-in at the end of a run of units	64
Aligning the housing unit	65
Checking the building-in niche	65
Before installation	65
Preparing the niche	66
Installation accessories	66
Anti-tipping mechanism	67
An alternative anti-tipping mechanism	69
Placing the appliance in the niche	70
Aligning the appliance	71
Securing the appliance in the niche	72
Preparing the furniture front	74
Securing and aligning the furniture door	76
Securing the covers	77
Fitting the plinth facing	78
Fitting the air separator	78
Aligning the ice/water dispenser	79
Securing the ice/water dispenser frame	81

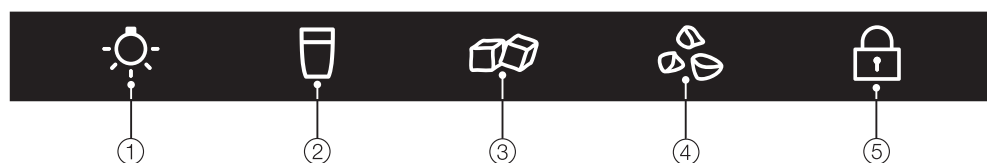
Description of the appliance

Control panel for the freezer



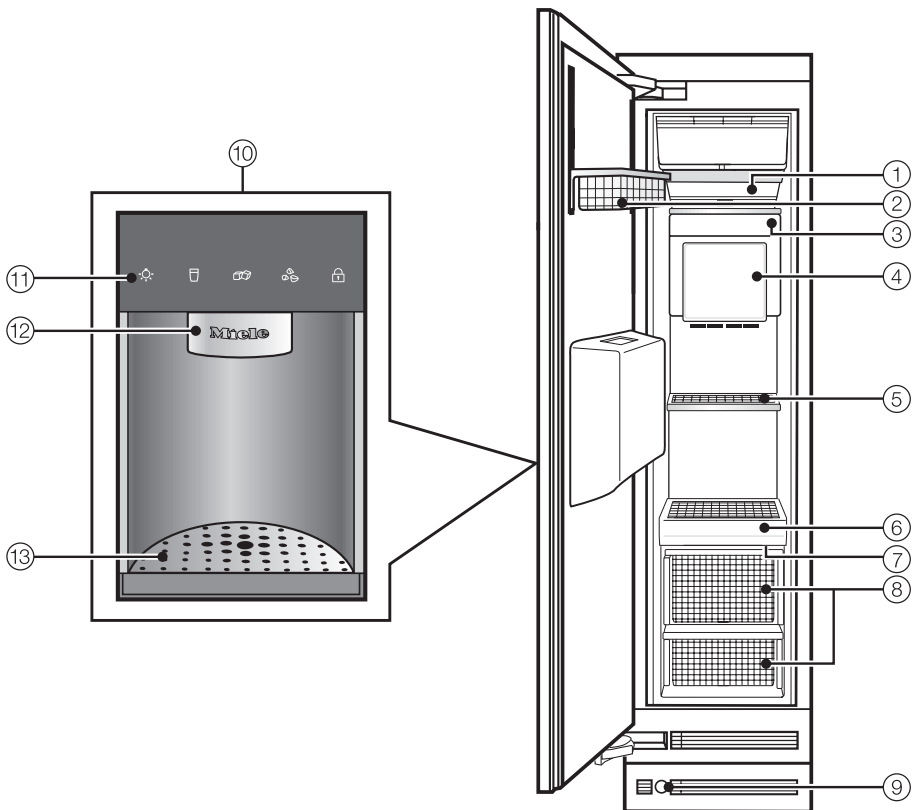
- ① Access sensor
- ② Sensor for selecting the temperature in the freezer (V for colder; ^ for warmer)
- ③ On/Off sensor for the Super freeze function
- ④ On/off sensor for the ice/water dispenser
- ⑤ Sensor for switching off the temperature or door alarm (only visible when the alarm is sounding)
- ⑥ Reminder to change the water filter

Control panel for the ice/water dispenser



- ① On/Off sensor for the lighting
- ② Chilled water sensor
- ③ Ice cube sensor
- ④ Sensor for crushed ice
- ⑤ On/Off sensor for the system lock

Description of the appliance



- ① Interior lighting
- ② Door basket
- ③ Ice cube maker
- ④ Ice cube container
- ⑤ Adjustable shelf
- ⑥ Control panel for the freezer
- ⑦ Rocker switch for switching the whole appliance on and off
- ⑧ Freezer baskets
- ⑨ Water filter
- ⑩ Ice/water dispenser in the door
- ⑪ Control panel for the ice/water dispenser
- ⑫ Dispensing spout for ice/water
- ⑬ Drip tray cover with grille underneath it.

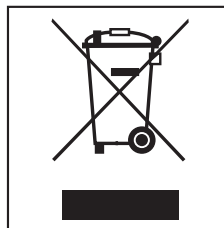
Disposal of the packing material

The transport and protective packing has been selected from materials which are environmentally friendly for disposal, and should be recycled.

Ensure that any plastic wrappings, bags etc. are disposed of safely and kept out of the reach of babies and young children. Danger of suffocation!

Disposal of your old appliance

Electrical and electronic appliances often contain materials which, if handled or disposed of incorrectly, could be potentially hazardous to human health and to the environment. They are, however, essential for the correct functioning of your appliance. Please do not therefore dispose of it with your household waste.



Please dispose of it at your local community waste collection / recycling centre or contact your dealer for advice. Ensure that it presents no danger to children while being stored for disposal.

Take care not to damage the pipework at the back of it before or during transportation to an authorised collection depot.

In this way, refrigerant in the pipework and oil in the compressor will be contained, and will not leak out into the environment.

Warning and Safety instructions

This appliance complies with all relevant safety requirements. Improper use can, however, present a risk of both personal injury and material damage.

To avoid the risk of accidents and damage to the appliance, please read these instructions carefully before installation and before using it for the first time. They contain important notes on installation, safety, operation and maintenance.

Keep these instructions in a safe place and pass them on to any future owner.

Warning!

This appliance is very heavy and can tip forwards when the door is open. Keep the appliance door shut until the appliance has been built in and secured in its housing in accordance with these operating and installation instructions.

Correct application

► This appliance is not designed for commercial use. It is intended for use in domestic households and in similar working and residential environments such as:

- Shops
- Offices and showrooms

and by residents in establishments such as:

- Hostels and guest houses.

This appliance is not intended for outdoor use.

This appliance is intended for domestic use only, to store deep frozen food, freeze fresh food, and to make ice. Any other usage is not supported by the manufacturer and could be dangerous. Miele cannot be held liable for damage resulting from incorrect or improper use or operation of the appliance.

► This appliance can be used by children aged from 8 years and above and by people with reduced physical, sensory or mental capabilities, or lack of experience and knowledge, if they are supervised whilst using it, or have been shown how to use it in a safe way and understand the hazards involved.

Warning and Safety instructions

Safety with children

- ▶ Children 8 years and older may use the appliance only if they have been shown how to use it in a safe way and understand the hazards involved.
- ▶ Children under 8 years of age must be kept away from the appliance unless they are constantly supervised.
- ▶ Please supervise children whilst you are working in the kitchen. This appliance is not a toy! Do not allow children to play with it, for example to play with the controls, to climb inside the drawers or to swing on the door.
- ▶ The door hinges can cause injury. Keep children well away at all times.

Technical safety

- ▶ Before setting up the appliance, check it for any externally visible damage. Do not install and use a damaged appliance. It could be dangerous.
- ▶ If the connection cable is faulty it must only be replaced by a service technician authorised by the manufacturer to protect the user from danger.

▶ This appliance contains the coolant Isobutane (R600a), a natural gas which is environmentally friendly. Although it is flammable, it does not damage the ozone layer and does not increase the greenhouse effect. The use of this coolant has, however, led to a slight increase in the noise level of the appliance. In addition to the noise of the compressor, you might be able to hear the coolant flowing around the system. This is unavoidable, and does not have any adverse effect on the performance of the appliance. Care must be taken during the transportation and installation of the appliance that no parts of the cooling system are damaged. Leaking refrigerant can damage the eyes. In the event of any damage:

- avoid any flames or anything which creates a spark,
- disconnect it from the mains,
- ventilate the room where the appliance is located for several minutes, and
- contact the Service Department for advice.

▶ The more coolant there is in an appliance, the larger the room it should be installed in. In the event of a leakage, if the appliance is in a small room, there is the danger of combustible gases building up. For every 8 g of coolant at least 1 m³ of room space is required. The amount of coolant in the appliance is stated on the data plate inside the appliance.

Warning and Safety instructions

- ▶ Safe operation of the appliance is only assured if it has been installed and connected in accordance with these operating and installation instructions.
- ▶ Before connecting the appliance, make sure that the connection data on the data plate (voltage and frequency) matches the mains electricity supply. This data must correspond in order to avoid the risk of damage to the appliance. Consult a qualified electrician if in any doubt.
- ▶ Do not connect the appliance to the mains electricity supply by a multi-socket adapter or an extension lead. These do not guarantee the required safety of the appliance (e.g. danger of overheating).
- ▶ The electrical safety of this appliance can only be guaranteed when it is correctly earthed. It is most important that this basic safety requirement is observed and regularly tested and where there is any doubt, the household wiring system should be inspected by a qualified electrician. The manufacturer cannot be held liable for the consequences of an inadequate earthing system (e.g. electric shock).
- ▶ Installation, maintenance and repairs may only be carried out by a suitably qualified and competent person in strict accordance with current national and local safety regulations. Repairs and other work by unqualified persons could be dangerous. The manufacturer cannot be held liable for unauthorised work.
- ▶ While the appliance is under guarantee, repairs should only be undertaken by a service technician authorised by the manufacturer. Otherwise the guarantee will be invalidated.
- ▶ The manufacturer cannot be held liable for damage caused by a faulty connection to the mains water supply.
- ▶ Connection to the mains water supply and any repairs to the ice/water dispenser must only be carried out by a suitably qualified and competent person.
- ▶ This ice/water dispenser is not suitable for connection to hot water.
- ▶ Before making plumbing connections, ensure the appliance is disconnected from the mains electricity supply.
- ▶ Never tamper with the movable components on the ice cube maker or the element on the ice cube maker.

Warning and Safety instructions

▶ The appliance must be isolated from the electricity supply during installation, maintenance and repair work.

▶ Faulty components must only be replaced by genuine Miele original spare parts. The manufacturer can only guarantee the safety of the appliance when Miele replacement parts are used.

▶ This appliance must not be used in a non-stationary location (e.g. on a ship).

▶ In areas which may be subject to infestation by cockroaches or other vermin, pay particular attention to keeping the appliance and its surroundings clean at all times. Any damage caused by cockroaches or other vermin will not be covered by the guarantee.

Correct use

▶ Rinse the pipework of the ice/water dispenser and also clean the ice/water dispenser thoroughly before using it for the first time.

▶ Never handle frozen food or the metal parts of the appliance with wet hands. Your hands may freeze to the frozen food. Danger of frost burn.

▶ Do not operate any electrical equipment (e.g. an electric ice-cream maker) inside the appliance. Danger of sparking and explosion.

▶ Do not take ice cubes out with your bare hands and never place ice cubes or ice lollies in your mouth straight from the freezer.

The very low temperature of the frozen ice or lollies can cause frost burn to the lips and tongue.

▶ Do not refreeze thawed or partially thawed food. Defrosted food should be used up as quickly as possible as food soon loses its nutritional value and goes off. Defrosted food may only be re-frozen after it has been cooked.

▶ Do not store explosive materials in the appliance or any products containing propellants (e.g. spray cans). Thermostats switching on may produce sparks which could present a fire hazard. Flammable compounds could explode.

Warning and Safety instructions

▶ Do not store cans or bottles containing carbonated drinks or liquids which could freeze in the freezer. The cans or bottles could explode. Danger of injury and damage to the appliance.

▶ When cooling drinks quickly in the freezer, make sure bottles are not left in for more than one hour; otherwise they could burst, causing injury or damage.

▶ Observe the "use-by" dates given on food to avoid the risk of food poisoning. Storage times will depend on several factors, including the freshness and quality of the food as well as the temperature at which it is stored. Follow the instructions given on the food manufacturer's packaging regarding storage conditions and "use-by" dates.

▶ Do not use sharp edged objects to

- remove frost and ice,
- separate frozen foods and remove ice trays.

They will damage the evaporator, causing irreversible damage to the appliance.

▶ Never place electric heaters or candles in the appliance to defrost it. These can damage the plastic parts.

▶ Do not use defrosting sprays or de-icers, as they might contain substances which could damage the plastic parts or which could cause a build-up of gases and pose a danger to health.

▶ Never use a steam-cleaning appliance to defrost or clean this appliance. Steam could reach the electrical components and cause a short circuit.

▶ To avoid the risk of any potential illness, do not deactivate the reminder to change the water filter.

▶ Do not use any oils or grease on the door seals, as these will cause the seals to deteriorate and become porous with time.

▶ Do not cover or block the air vents as this could impair the efficiency of the appliance, increase the electricity consumption and could cause damage to the appliance.

▶ This appliance is designed for use within certain climate ranges (ambient temperatures), and should not be used outside this range. The climate range for your appliance is stated on the data plate inside the appliance. Installing it in a room with too low an ambient temperature, e.g. a garage, can lead to the appliance switching off for longer periods so that it cannot maintain the required temperature.

Disposal of your old appliance

▶ Before disposing of an old appliance, first make the door latches or locks unusable.

This way you will prevent children from accidentally locking themselves in and endangering their lives.

▶ Be careful not to damage any part of the pipework whilst awaiting disposal, e.g. by

- puncturing the refrigerant channels in the evaporator.
- bending any pipework.
- scratching the surface coating.

Splashes of refrigerant can damage the eyes.

The manufacturer cannot be held liable for damage caused by non-compliance with these Warning and Safety instructions.

How to save energy

	Normal energy consumption	Increased energy consumption
Installation site	In a ventilated room.	In an enclosed, unventilated room.
	Protected from direct sunlight.	In direct sunlight.
	Not near to a heat source (radiator, oven).	Near to a heat source (radiator, oven).
	Where the ideal ambient room temperature is approx. 20°C.	Where there is a high ambient room temperature.
	Do not cover the ventilation gaps and dust them regularly.	
Temperature setting with a thermostat which is approximate (set in stages).	With a medium setting of 2 to 3.	With a high setting: the lower the temperature in the compartment, the higher the energy consumption.
Temperature setting with a thermostat which is exact to the degree (digital display).	Larder section 8 to 12 °C	On appliances with winter setting, please make sure that the winter setting is switched off when the ambient temperature is warmer than 16 °C .
	Refrigerator section 4 to 5 °C	
	PerfectFresh zone just above 0 °C	
	Freezer section -18 °C	
	Wine storage section 10 to 12 °C	
Use	Drawers, shelves and racks arranged as they were when the appliance was delivered.	
	Only open the door when necessary and for as short a time as possible.	Frequent opening of the door for long periods will cause a loss of coldness.
	Store food in an organised way.	Searching for an item will mean the door is open for longer.
	Allow hot food and drinks to cool down before placing them in the appliance.	Hot food will cause the compressor to run for a long time, as the appliance will have to work harder to reduce the temperature.
	Store food covered or packaged.	The evaporation or condensation of liquids will cause a loss of coldness in the refrigerator.
	Place frozen food in the refrigerator to defrost.	
	Do not over-fill the appliance to allow air to circulate.	
Defrosting	Defrost the freezer section when a layer of ice 0.5 cm thick has built up.	A layer of ice hinders the cold from reaching the frozen food, and increases energy consumption.

Before using for the first time

- Clean the inside of the appliance and the accessories with lukewarm water and a little washing up liquid, and then dry with a soft cloth.

Important:

To ensure the correct functioning of the appliance, let it stand for approx. 1 1/2 - 2 hours, or for approx. 8 hours if it has been transported on its side to its final location before connecting it to the mains.

To enable the temperature to get sufficiently cold inside the appliance, allow the appliance to run for a few hours before placing food in it.

Do not place food in the freezer until the temperature is at least -18°C.

Please note: Switching the appliance off with the rocker switch does not disconnect the appliance from the mains.

Switching on

- Open the appliance door.



- Press the rocker switch on the right-hand side underneath the control panel.

The appliance will start to cool, and the interior lighting will come on when the door is opened.



The access sensor in the control panel will also light up.

Operation

A light touch of the finger on the sensors is all that is required to operate this appliance.

Please note:

- A sensor which is **available** for selection is always highlighted in **white**.
- A sensor which has been **selected** is always highlighted in **yellow**.



- Touch the access sensor so that it is highlighted in yellow.

Other sensors that are available for selection will appear in the control panel.

Switching on and off

You can now

- adjust the temperature, or
- select the Super freeze function or
- switch the ice/water dispenser on or off.

Please refer to the relevant section for more information.

To finish selecting settings,



- touch the access sensor so that it is highlighted in white.

Your last selected settings will now be saved to memory.

If you do not touch the access sensor, the electronics for accessing the settings will switch off after a period.

Switching off



- Press the rocker switch on the right-hand side underneath the control panel.

The cooling system and the lighting are now switched off.

Further settings

You can select further settings in settings mode.

In settings mode you can select certain appliance functions via the control panel and adjust the settings. The settings for the different functions are described in more detail in the relevant section of these instructions.

Overview of functions that can be selected in settings mode:

Function	Symbol
To enter or leave settings mode	<i>c</i>
To select the temperature unit (see "The ideal temperature")	<i>t</i>
No function selected	<i>r</i>
To switch the sensor tone on/off (see "Switching on and off")	<i>b</i>
No function selected	<i>h</i>

Switching the sensor tone on/off

The tone which sounds each time a sensor is touched can be deactivated.



- Touch the access sensor so that it is highlighted in yellow.
- Take note of the position of the √ sensor (but do not touch it!).
- Touch the access sensor until it is highlighted in white and all of the other sensors are no longer lit up.
- Place your finger in the position of the √ sensor, and leave it there.
- At the same time, briefly touch the access sensor (without moving your finger from the √ sensor).
- Leave your finger on the √ sensor for another 4 seconds until ⌂ and the ^ sensor also appear in the display.



- Now touch the √ sensor repeatedly until **b** appears in the display.
- Touch the access sensor again.

- By touching the √ sensor, you can now select whether the sensor tone is switched on or off:
 - b** : Sensor tone switched off
 - b** : Sensor tone switched on
 - b** -: Return to menu
- After selecting a new setting, touch the access sensor to confirm your choice.
- Touch the √ sensor repeatedly until ⌂ appears in the display.



- Touch the access sensor.

You have now left settings mode.

The door alarm is automatically disabled when the appliance is in settings mode. As soon as the door is closed, the door alarm is activated again.

Switching on and off

Switching off for longer periods of time

If the appliance is not going to be used for a longer period of time, e.g. whilst on holiday:

- switch the appliance off,
- disconnect it from the mains.
- turn off the stopcock to the water supply (a few hours before you switch off the appliance),
- empty the ice cube container,
- clean the appliance out and
- replace the water filter and
- leave the doors ajar to air the appliance.

If, during a long absence, the appliance is switched off but not cleaned out and the door is left shut, there is a danger of mould and odours building up inside the appliance.

The correct temperature

It is very important to set the correct temperature for storing food in the appliance. Micro-organisms will cause food which is not stored at the correct temperature to deteriorate rapidly. Temperature influences the growth rate of these micro-organisms. Reducing the temperature reduces their growth rate.

To freeze fresh food and to store frozen food for a long time, a temperature of **-18 °C** is required. At this temperature the growth of micro-organisms is generally halted. As soon as the temperature rises above -10 °C, the micro-organisms become active in the food again so that it cannot be kept as long. For this reason, partially defrosted or defrosted food must not be re-frozen. Food may be re-frozen once it has been cooked, as the high temperatures achieved when cooking destroy most micro-organisms.

The temperature in the appliance will rise:

- the more often the door is opened and the longer it is kept open,
 - the more food that is placed in it,
 - the warmer the food is which is being put into it,
 - the higher the ambient temperature surrounding the appliance.
- The appliance is designed for use in specific ambient temperatures (climate ranges). Do not use in ambient temperatures for which it is not designed.

Setting the temperature in the freezer



- Touch the access sensor so that it is highlighted in yellow.



- The temperature inside the appliance can be selected by touching the arrow sensors on either side of the temperature display.

By touching the

- ∨ sensor: the temperature will get colder
- ∧ sensor: the temperature will get warmer.

The temperature range being set will flash in the display as you do this.

- Touching the sensor once: adjusts the temperature shown in 1 °C steps.
- Keeping your finger on the sensor: changes the temperature continuously.

If the highest or lowest temperature that it is possible to set is reached, the ∨ or ∧ sensor will disappear from the display.

The temperature display on the control panel always shows the **required** temperature.

The correct temperature

When you have adjusted the temperature, **wait for approx. 6 hours if the appliance is not very full** and **for approx. 24 hours if the appliance is full** before checking the temperature display, as it will take this long for the appliance to reach the temperature. If, after this time, the temperature is still too high or too low, you will need to adjust it again.

Temperature range

The temperature in the freezer can be adjusted:

- with the ice/water dispenser switched off: from -14 °C to -24 °C
- with the ice/water dispenser switched on: from -18 °C to -24 °C

The ambient temperature in the room and the installation location can affect the time it takes for the appliance to reach the lowest temperature. If the ambient temperature is too high, the appliance may not reach the lowest temperature.

Temperature (Fahrenheit/Celsius)

The temperature can be displayed in degrees Celsius or degrees Fahrenheit.



- Touch the access sensor so that it is highlighted in yellow.
- Take note of the position of the √ sensor (but do not touch it!).
- Touch the access sensor until it is highlighted in white and all of the other sensors are no longer lit up.
- Place your finger in the position of the √ sensor, and leave it there.
- At the same time, briefly touch the access sensor (without moving your finger from the √ sensor).
- Leave your finger on the √ sensor for another 4 seconds until ϵ and the \wedge sensor also appear in the display.



- Now touch the √ sensor repeatedly until ϵ appears in the display.
- Touch the access sensor again.

The correct temperature

- By touching the ∇ sensor, you can now set the temperature to be displayed in Fahrenheit or Celsius.
 °F : Temperature in Fahrenheit
 °C : Temperature in Celsius
 ↶ : Return to menu
- After selecting a new setting, touch the access sensor to confirm your choice.
- Now touch the ∇ sensor repeatedly until °C appears in the display.



- Touch the access sensor again.

You have now left settings mode.

The door alarm is automatically disabled when the appliance is in settings mode. As soon as the door is closed, the door alarm is activated again.

Temperature display

The temperature display on the control panel always shows the **required** temperature.

The **temperature display will flash** if

- a different temperature is being set,
- the temperature in the appliance has risen by several degrees, indicating that the appliance is warming up too much.

This loss of coldness is no cause for concern in the following circumstances:

- when the door has been left open for a while, e.g. for removing or storing a large amount of food,
- when fresh food is being frozen.

However, if the temperature in the freezer remains above -18 °C for a long time, check that the frozen food has not started to defrost. If it has, check that the food is safe to use and if it is, then use it as soon as possible.

Temperature and door alarm

Your appliance has been fitted with a warning system which ensures that the temperature in the appliance cannot rise unnoticed and to avoid energy being wasted if the door is left open.

Activating the alarm system

The alarm system is always active. It does not have to be switched on manually.

Temperature alarm

If the temperature in the freezer becomes too warm, the sensor for switching off the temperature or door alarm will flash on the control panel.

An audible alarm will also sound.

The temperature display will show the warmest temperature which has been reached.

The alarm will sound and the sensor for switching off the temperature or door alarm will flash, for example,

- if the freezer door has been left open for a while, e.g. in order to load, re-arrange or take food out.
- when freezing large amounts of food at once.
- in the event of a power cut.

The alarm will stop and the sensor for switching the temperature or door alarm off will go out as soon as the temperature is at the correct level.

Switching the temperature alarm off early

If the noise disturbs you, you can switch the alarm off early if you wish.



- Touch the sensor for switching off the temperature or door alarm. The alarm will stop. The sensor for switching off the temperature or door alarm will remain on and will only go out when the temperature has returned to normal.

However, if the temperature in the freezer remains above $-18\text{ }^{\circ}\text{C}$ for a long time, check that the frozen food has not started to defrost. If it has, check that the food is safe to use and if it is, then use it as soon as possible.

Door alarm

The alarm will sound if the door is left open for more than 5 minutes. The sensor for switching the temperature or door alarm off will also light up.

The alarm will stop and the sensor for switching the temperature or door alarm off will go out as soon as the door is closed.

Switching the door alarm off early

If the noise disturbs you, you can switch the alarm off early if you wish.



- Touch the sensor for switching the temperature or door alarm off.

The alarm will stop and the sensor for switching the temperature or door alarm off will go out.

Super freeze

Super freeze

Switch on the Super freeze function before putting fresh food into the freezer.

This helps food to freeze quickly and retain its nutrients, vitamins, flavours and appearance.

Super freeze is not necessary:

- when placing food in the freezer that is already frozen.
- when freezing up to 2 kg fresh food in any one day.

Switching on Super freeze

When freezing small quantities of food in the freezer, the Super freeze function should be switched on **4-6 hours beforehand**. When freezing **the maximum load of food** the Super freeze function should be switched on **24 hours beforehand**.



- Touch the Super freeze sensor so that it is highlighted in yellow.

The appliance will now operate at full power to lower the temperature in the freezer, and the newly set temperature of -30 °C will show in the temperature display.

Switching off Super freeze

Depending on the amount of food placed in the freezer, the Super freeze function will switch off automatically after approx. 52 hours. The sensor is highlighted in white and the appliance continues running at normal power.

To save energy, the Super freeze function can be switched off once the temperature in the freezer is low enough.



- Touch the Super freeze sensor so that it is highlighted in white.

The original temperature will now appear in the temperature display and the appliance will continue to operate at normal power.

Moving the shelves

The shelves can be adjusted according to the height of the food.

- Hold the shelf on both sides and raise it slightly so that it can be lifted over the catches at the back.
- Pull the shelf forwards.
- Place the shelf at the required level, ensuring that it has engaged in the catches at the back.
- Make sure that the shelf is on straight.

Top shelf

The shelf in the very top of the appliance can be removed for cleaning.

- Lift the shelf up and out.
- When replacing the shelf, make sure that the lugs on the corners at the back are correctly engaged.

Moving the door basket

The door basket can be moved or totally taken out for loading, unloading and for cleaning.

- Hold the door basket by its frame with both hands, raise it a little and then tip it forwards slightly.
- Slide the basket in this angled position up or down in the side runners as required, and then lower it into its new position.
- Make sure that the basket sits straight.

To remove the door basket completely,

- Slide it up the side runners to the very top, then lift it out.

To replace the door basket,

- Engage it in the runners at the top, and lower to the position required.

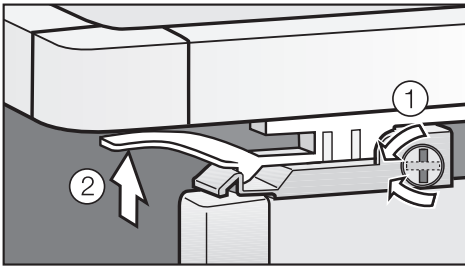
Arranging the interior fittings

Freezer baskets

The freezer baskets can also be removed for cleaning.

- Pull the freezer basket out as far as it will go.

There is a safety catch on the door opening side which needs to be turned to a horizontal position in order to remove the basket.



- Use a screwdriver or similar to turn the slot in the head of the pin to a horizontal position ①.
- Raise the snap fittings on both sides ② and lift the basket out.

To replace the freezer basket

- Pull the telescopic rails out as far as they will go.
- Place the freezer basket on the rails so that it engages at the back and front.
- Turn the catch back to its vertical position.
- Push the freezer basket back in.

Maximum freezing capacity

To ensure that fresh food placed in the freezer freezes through to the core as quickly as possible, the maximum freezing capacity must not be exceeded. The maximum freezing capacity for freezing within a 24-hour period is given on the data plate: "Freezing capacitykg/24 hrs".

The maximum freezing capacity given on the data plate has been calculated according to DIN EN ISO 15502 Standard.

Freezing fresh food

Fresh food should be frozen as quickly as possible. This way the nutritional value of the food, its vitamin content, appearance and taste are not impaired.

Food which takes a long time to freeze will lose more water from its cells, which then shrink.

During the defrosting process, only some of this water is reabsorbed by the cells; the rest collects around the food.

In practice this means that the food loses a large degree of its moisture. You can tell if this has happened by the amount of liquid around the food.

If food is frozen quickly, the cells have less time to lose moisture, so they shrink less. As there is not so much moisture loss, it is easier for the food to reabsorb it during the defrosting process, and very little water collects around the defrosted food.

Storing frozen food

When buying frozen food to store in your freezer, check

- that the packaging is not damaged,
 - the use-by date,
 - the temperature at which the frozen food is being stored in the shop. The length of time it can be kept is reduced if it has been stored at a temperature warmer than -18°C .
- Buy frozen food once you have finished the rest of your shopping, and wrap it in newspaper or use a cool bag or cool box to transport it.
 - Store it in the freezer as soon as possible.

Never re-freeze partially or fully defrosted food. Consume defrosted food as soon as possible as it will lose its nutritional value and spoil if left for too long. Defrosted food may only be re-frozen after it has been cooked.

Freezing and storing food

Home freezing

Only freeze fresh food which is in a good condition.

Hints on home freezing

- The following types of food **are suitable** for freezing:
Fresh meat, poultry, game, fish, vegetables, herbs, fresh fruit, dairy products, pastry, leftovers, egg yolks, egg whites and a range of pre-cooked meals.
- The following types of food **are not suitable** for freezing:
Grapes, lettuce, radishes, sour cream, mayonnaise, eggs in their shells, onions, whole raw apples and pears.
- To retain colour, taste and vitamin C, vegetables should be blanched after they have been trimmed and washed.
To blanch: bring a large saucepan of water to the boil, immerse the vegetables in the fast boiling water for 2-3 minutes, depending on variety. Remove, and plunge into ice-cold water to cool quickly. Drain and pack ready for freezing.
- Lean meat freezes better than fatty meat, and can be stored for considerably longer.
- To prevent chops, steaks, cutlets or rolled meat from freezing together in solid blocks when packed, separate with a sheet of plastic freezer film.

- Do not season fresh foods or blanched vegetables before freezing. Only season cooked food lightly before freezing, but care should be taken as the taste of some spices alters when frozen.
- Do not place hot food or drinks in the freezer. This causes already frozen food to thaw, and increases the energy consumption considerably. Allow hot food and drinks to cool down before placing them in the freezer.

Packaging

- Freeze food in portions.

Unsuitable packaging material

- wrapping paper
- grease-proof paper
- cellophane
- bin bags
- plastic carrier bags

Suitable packaging material

- plastic freezer film
 - freezer bags
 - aluminium foil
 - freezer containers
- Expel as much air as possible from bags etc. before sealing them, to prevent freezer-burn on food.
 - Close the packaging tightly with
 - rubber bands
 - plastic clips
 - string or bag ties
 - freezer tape.

Freezer bags may also be sealed using home heat sealing kits.

Freezing and storing food

- Make a note of the contents and the date of freezing on the packaging.

Before placing food in the freezer

- When freezing more than 2 kg of fresh food, switch on the Super freeze function for some time before placing the food in the freezer (see "Super freeze").
This also helps to prevent food that is already in the freezer from starting to defrost.

Placing food in the freezer

Food to be frozen can be placed anywhere in the freezer.
Place large quantities of food in the large freezer basket.

Please follow the guidelines in the table below regarding recommended weights for the baskets:

	Upper basket	Lower basket
F 1471 Vi	16 kg	16 kg

- Place the food flat in the bottom of the basket so that it freezes through to the core as quickly as possible.
- Make sure that the packaging and containers are dry to prevent them sticking together when frozen.

When freezing, make sure that food already frozen does not come into contact with fresh food being frozen as this could cause the frozen food to begin to defrost.

Defrosting

Frozen food can be defrosted in different ways:

- in a microwave oven,
- in an oven using the "Fan" or "Defrost" setting,
- at room temperature,
- in the refrigerator (the cold given off by the frozen food helps to keep the other food cold),
- in a steam oven.

Poultry It is particularly important to observe food hygiene rules when defrosting poultry. Do not use the liquid from defrosted poultry. Pour it away and wash the container it was in, the sink and your hands. Danger of salmonella poisoning.

Fruit should be defrosted at room temperature in its packaging, or in a covered bowl.

Most vegetables can be cooked while still frozen. Just put straight into boiling water or hot fat. The cooking time is slightly less than that of fresh vegetables due to changes in the cell structure.

Freezing and storing food

Never re-freeze partially or fully defrosted food. Consume defrosted food as soon as possible as it will lose its nutritional value and spoil if left for too long. Defrosted food may only be re-frozen after it has been cooked.

Cooling drinks

When cooling drinks quickly, make sure bottles are **not left in the freezer for more than one hour**, as they could burst.

The ice/water dispenser must be connected to the mains water supply (see "Mains water connection").

Use a suitable container to dispense water and ice cubes into. Danger of glass splinters.

Do not hold your hand under the ice/water dispenser spout. Danger of injury.

It may take a few seconds after opening and closing the appliance door before the ice/water dispenser is ready for use.

The sensor for chilled water will flash white in the ice/water dispenser control panel.

- Place a suitable large container underneath the ice/water dispenser spout.



Switching on the ice/water dispenser

Before it is used for the first time, the ice/water dispenser pipework must be rinsed through and filled with water.

- Touch the sensor for chilled water until it flashes yellow.
- Touch and keep your finger on the sensor for chilled water again.

This will activate the rinsing function: Approx. 6 litres of water will now be pumped through the pipework.

You can interrupt the rinsing process at any time to allow you to empty the container by taking your finger off the sensor for chilled water.

The sensor will continue to flash yellow while you empty the container.

A beep will sound when the rinsing process is complete and the sensors in the ice/water dispenser control panel will now be highlighted in white.

The ice/water dispenser is now ready for use.

Rinsing the pipework

- Open the appliance door.



- Touch the access sensor to highlight it in yellow.



- Touch the On/Off sensor for the ice cube maker to highlight it in yellow.
- Close the appliance door.

Ice/water dispenser

Switching on the ice/water dispenser

Rinse the ice/water dispenser pipework before using it for the first time.

- Open the appliance door.
- Make sure that the ice cube container is correctly located underneath the ice cube maker.

The ice cube container must be completely shut for ice cubes to be produced.



- Touch the On/Off sensor for the ice cube maker to highlight it in yellow.
- Close the appliance door.


The ice/water dispenser is now ready to use.


It may take a few seconds after opening and closing the appliance door before the sensors can be used and the ice/water dispenser is ready for use.



- Activate the ice/water dispenser by touching one of the sensors or waving your hand briefly under the dispenser spout. A light sensor below the spout will register this movement.

All the sensors in the ice/water dispenser control panel should now be highlighted in white.

If this is not the case, the system lock has been activated (the  sensor will be highlighted in yellow, see "System lock").

If the  sensor is flashing, the drip tray needs to be emptied (see "Cleaning and care").

Once the freezer has cooled down to its set temperature, the ice cube maker will fill with water.

Do not place bottles or other items in the ice cube maker to chill them quickly. The ice cube maker could become blocked and, as a result, be damaged.

Discard the ice cubes produced during the first 24 hours and do not consume any chilled water or ice/crushed ice during this period, as the water will have been used to rinse through the pipework. This also applies when using the appliance again after not having used it for a while.

Chilled water

- Place a suitable container underneath the ice/water dispenser spout.



- Touch and keep your finger on the chilled water sensor.

Chilled water will be dispensed from the spout as long as the sensor is being touched.

After a while dispensing will stop automatically. Press the sensor again if you wish to dispense more water.

Fill the container with ice cubes beforehand if you want it to be colder.

Ice cubes and crushed ice

Remember it can take up to 24 hours to produce the first ice cubes.

- Place a suitable container underneath the ice/water dispenser spout.



- Touch and keep your finger on the sensor for ice cubes or crushed ice.


Ice will be dispensed from the spout as long as the sensor is being touched.

After a while dispensing will stop automatically. Press the sensor again if you need more ice.

Take your finger off the sensor when the container is almost full. Otherwise it will overflow or the ice will block the dispensing spout.

The ice cube maker can make up to 150 ice cubes in 24 hours.

The amount of ice cubes which the appliance makes depends on the temperature in the freezer. The lower the temperature, the more ice cubes are produced within a certain time frame.

If the  sensor is flashing, the drip tray needs to be emptied and dispensing is stopped automatically.

Mop out the drip tray with a sponge or cloth.

If the appliance has been switched off for a long period of time, discard the chilled water and ice that is produced in the 24 hours after the appliance has been switched on again.

Ice/water dispenser

If the ice/water dispenser is not used again within 2 minutes or if the door is opened, the ice/water dispenser will switch to standby mode automatically and the lighting will go out.

After it has been activated again, it can take a few seconds before chilled water and ice can be dispensed again.

System lock

You can use the system lock to prevent the ice/water dispenser from being used without your knowledge, by children, for example.



- Touch the  sensor to highlight it in yellow.

The ice/water dispenser sensors are now locked. To deactivate the system lock,

- Touch the  sensor to highlight it in white.

Lighting

To switch the ice/water dispenser lighting on or off,



- touch the lighting sensor until it is highlighted in yellow (lighting on) or white (lighting off).

Switching off the ice/water dispenser

The appliance must be disconnected from the mains water supply a few hours before the ice/water dispenser is switched off.

- Open the appliance door.




- Touch the On/Off sensor for the ice/water to highlight it in white.



Settings mode for ice/water dispenser

To enter settings mode






- Touch the  sensor to highlight it in white.



- At the same time, briefly touch the lighting sensor (without moving your finger from the  sensor).
- Leave your finger on the  sensor for another 4 seconds until both sensors light up yellow.

The colour of the other sensors show whether that sensor is switched on (yellow) or switched off (white):

-  De-misting function
-  Ice cube separation
-  Keypad tone

- Let go of both sensors.

De-misting function

A heater element behind the ice/water dispenser control panel stops it misting up.

You can deactivate this function to save energy.

The appliance is delivered with this function deactivated.

To activate this function,



- touch the sensor for chilled water to highlight it in yellow.

Ice/water dispenser

Ice cube separation

To prevent the ice cubes and crushed ice from freezing together and blocking the dispensing spout, the spindle in the ice cube container moves at regular intervals to separate them.

You can deactivate this function if the noise disturbs you.

Please note: If you deactivate this function, the ice/water dispenser spout can become blocked with ice.

The appliance is delivered with this function activated.

To deactivate this function,



- touch the ice cube sensor to highlight it in white.

Keypad tone

The tone which sounds each time a sensor is touched can be deactivated.

The appliance is delivered with this function activated.

To deactivate this function,



- touch the crushed ice sensor to highlight it in white.

To leave the settings mode



- touch the lighting sensor or do not touch any of the sensors for one minute.

This appliance is equipped with a "Frost free" system. The freezer defrosts automatically.

The moisture generated by defrosting collects in the condensor and is automatically dissipated by the condensor from time to time.

This automatic defrosting system enables the freezer to remain permanently ice-free, however the food stored in the freezer will not defrost.

Cleaning and care

Make sure that water cannot get into the electronic unit or into the ventilation gaps.

Do not use steam cleaning apparatus to clean the appliance. Steam could reach electrical components and cause a short circuit.

The data plate located inside the appliance must not be removed. It contains information which is required in the event of a service call.

To avoid damaging the surface of your appliance, do not use:

- cleaning agents containing soda, ammonia, acids or chlorides,
- cleaning agents containing descaling agents,
- abrasive cleaning agents, e.g. powder cleaners and cream cleaners,
- solvent-based cleaning agents,
- stainless steel cleaning agents,
- dishwasher cleaner,
- oven sprays,
- glass cleaning agents,
- hard, abrasive sponges and brushes, e.g. pot scourers,
- melamine eraser blocks,
- sharp metal scrapers.

Before cleaning



- Switch the appliance off completely by pressing the On/Off rocker switch to the right-hand side underneath the control panel.
- Disconnect the appliance from the mains.
- Take any frozen food out of the appliance and store it in a cool place.
- Take out any removable parts, e.g. shelves, for cleaning.

Cleaning the interior and accessories

Use lukewarm water with a little washing-up liquid.

Wash all accessories and drawers by hand only. Do not wash in a dishwasher.

- Clean the appliance at least once a month.
- After cleaning, wipe the interior and accessories with a damp cloth and dry with a soft cloth. Leave the door open to air the appliance for a short while.

Aluminium frames

The frames on the shelves inside the appliance and on the door baskets are made from aluminium.

Aluminium is affected by the way that light falls on it, by the surrounding environment and by the angle you observe it from.

It is also susceptible to scratching.

The aluminium frames may suffer discolouration or damage if soiling is left on for too long. Remove any soiling immediately.

Ice cube container

- Pull the ice cube container out of the appliance.
- Empty it and rinse it with hot water.
- Dry the container and spindle thoroughly so that new ice cubes will not freeze onto the surfaces.


To replace the ice cube container

- Push it back into the appliance until it clicks into position.
- If you cannot push it back in all the way, turn the spindle inside a little.


Drip tray

The drip tray catches excess water.




When the drip tray is full, the  symbol in the ice/water dispenser control panel will flash and dispensing will stop. There are sensors in the drip tray which measure when the drip tray needs to be emptied.

To avoid a build-up of odour, the drip tray should be cleaned every day.

When the  symbol flashes,

- remove the drip tray cover and the grille underneath it.
- Mop out the drip tray using a sponge or tea towel and then clean it.
- Clean the drip tray cover and the grille.
- Replace the grille and the drip tray cover.

The  symbol will now be highlighted in white again.

Cleaning and care

Ventilation gaps

- The ventilation gaps should be cleaned on a regular basis with a brush or vacuum cleaner. A build-up of dust will increase the energy consumption of the appliance.

Door seals

Do not use any oils or grease on the door seal as these will cause the seal to deteriorate and become porous over time.

- The door seals should be cleaned regularly with clean water, and then wiped dry with a soft cloth.

After cleaning

- Replace all shelves and accessories into the appliance.
- Reconnect to the mains and switch the appliance back on.
- Switch on the Super freeze function so that the freezer can cool down quickly.
- Once the freezer section has reached the required temperature, place the food back in the freezer baskets.
- Switch off the Super freeze function as soon as the temperature in the freezer is a constant -18 °C or colder.

Repairs to electrical appliances should only be carried out by a suitably qualified and competent person in strict accordance with current local and national safety regulations. Repairs and other work by unqualified persons could be dangerous. The manufacturer cannot be held liable for unauthorised work.

What to do if . . .

. . . the appliance does not get cold.

- Check whether the appliance has been switched on. If it is switched on, the access sensor will light up in the display.
- Check that the plug is correctly inserted into the socket and switched on.
- Check that the mains fuse has not tripped. If it has, there could be a fault with the freezer, the household electricity supply or another appliance.
Contact a qualified electrician or the Miele Service department.
- Check the temperature settings.

. . . the temperature in the freezer is too low.

- Increase the temperature.
- Switch off the Super freeze function if this is switched on.
- Check that the appliance door has been closed properly.

- Has a large amount of fresh food been put in at the same time for freezing?

This makes the compressor run for longer, causing the temperature to fall automatically.

. . . the door will not open because it has been opened and closed too many times in succession.

- This is not a fault. The suction caused by opening and closing the door is preventing it from opening. Wait a few minutes and then try again. It should now open without force.

. . . the compressor is switching in too frequently and for too long.

- Check whether the vents in the plinth have been covered over or become too dusty.
- The door has been opened too frequently, or a large amount of food has been put in at once.
- Check that the appliance door has been closed properly.

. . . the compressor runs continuously.

To save energy, the compressor runs at a lower speed, but for longer, when less cooling is required.

Problem solving guide . . ?

. . . The temperature display for the freezer shows -18 °C, even though I have selected a higher temperature?

This is not a fault. If the ice maker is switched on and the room temperature is less than +18 °C, the temperature is automatically set to -18 °C.

This is to ensure trouble-free functioning of the ice cube maker.

. . . the frozen food is thawing because the freezer is too warm.

- Is the room temperature lower than the ambient temperature for which the appliance is designed?

If so, increase the temperature of the room.

Operating in a room which is too cold will cause the cooling system to switch off for too long, causing the freezer to become too warm.

. . . food has frozen together.

- Use a blunt instrument, e.g. a spoon handle or plastic scraper, to prise it apart carefully.

. . . the alarm sounds.

Has the appliance door been open for longer than 5 minutes?

- Close the door.

. . . the alarm sounds and the sensor for switching off the temperature or door alarm lights up or is flashing.

- The door is open, or
- the temperature in the appliance has risen significantly because
 - too much warm air from the room has entered the appliance,
 - large quantities of food have recently been placed in the freezer,
 - there has been a power cut.

The alarm will stop and the sensor for switching the temperature or door alarm off will go out as soon as the temperature is at the correct level.

The temperature display will show the highest temperature that was reached during the time the temperature in the freezer rose.

Check the condition of the food in the freezer. If it has defrosted or started to defrost, check that it is still safe to use and if so use it as soon as possible. Defrosted food may only be re-frozen after it has been cooked.

. . . the reminder to change the water filter indicator lights up red.

The water filter will soon need to be changed.

- You can order a replacement filter from your Miele dealer or the Miele Spare Parts Department.

. . . the reminder to change the water filter indicator flashes red.

- When the reminder to change the water filter **flashes** red, this indicates that the filter needs to be changed now.

. . . The symbol is flashing in the ice/water dispenser control panel.

The ice/water dispenser drip tray is full.

- Empty the drip tray.

. . . The control panel has misted up.

The heater element behind the control panel is switched off.

- Switch the de-misting function back on (see "Ice/water dispenser").

. . . you cannot switch the ice/water dispenser on.


- Check whether the appliance is connected to the electricity supply.

. . . the ice/water dispenser is not ready immediately after switching it on.

This is not a fault.

It may take a few seconds after opening and closing the appliance door before the ice/water dispenser is ready for use.

. . . the ice/water dispenser is not producing any ice cubes or chilled water.

- Check whether the appliance has been switched on.
- Check if the ice/water dispenser has been switched on.
- Check whether the ice/water dispenser system lock has been activated (the  symbol in the control panel will be highlighted in yellow).
- Check whether the appliance is correctly connected to the mains water supply.
- Was the water inlet pipe purged of air by a qualified and competent person before the appliance was used for the first time?
- Check whether the stopcock is open.
- Check that the ice cube container is positioned correctly.
- Check that the temperature in the freezer is low enough.
- Check whether there is sufficient water pressure. The water pressure (flow rate) must be between 1.72 and 8.25 bar.
- Check that the correct valve was installed; an incorrect valve may cause a drop in water pressure.
- Check whether the ice/water dispenser separation system has been switched off. If ice is not regularly agitated by a spindle the ice cubes can freeze together and block the dispenser (see "Ice/water dispenser").

Problem solving guide . . ?

Remember it can take up to 10 hours to produce the first ice cubes.

. . . the ice/water dispenser is only producing small ice cubes.

- Are other appliances that are connected to the mains water supply being used at the same time?
Avoid using the dishwasher, washing machine etc at the same time.
- Check whether the water filter needs to be changed.
- Check whether there is sufficient water pressure. The water pressure (flow rate) must be between 1.72 and 8.25 bar.
- Check that the correct valve was installed; an incorrect valve may cause a drop in water pressure.

Remember it can take up to 10 hours to produce the first ice cubes.

- Check that the ice cube container is clean and wash it if necessary.

. . . the ice/water dispenser is producing too few or misshapen ice cubes or is only dispensing a very little amount of water.

- Check whether there is sufficient water pressure. The water pressure (flow rate) must be between 1.72 and 8.25 bar.
- Check that the temperature in the freezer is low enough.

- Change the water filter.

. . . the ice cubes taste or smell odd.

- How often do you use the ice water dispenser?
If you do not use it very often, ice cubes that are stored for a long period can absorb the taste and smell of other items.
- Are you storing unwrapped food in the freezer section?
Ice can absorb the taste and smell of unwrapped food.

. . . you can hear noises from the ice/water dispenser on a regular basis.

This is not a fault.

The ice cube separating function is active. The spindle in the ice cube drawer moves at regular intervals to separate the ice cubes and prevent them from freezing together and blocking the dispensing spout.

. . . water is pouring out of the appliance.

- Close the stopcock immediately.
- Check whether the water pipework inside the appliance is damaged.
Call the Service Department.
- Check whether there is sufficient water pressure.
- Check whether the correct valve was fitted.

. . . "_F" and "121" appear alternately in the temperature display.

The ice cube maker is not connected to the mains water supply.

- Check whether the appliance is correctly connected to the mains water supply.
- Check whether the stopcock is open.

. . . Another fault message with "_F" appears in the temperature display.

There is a fault. Call the Service Department.

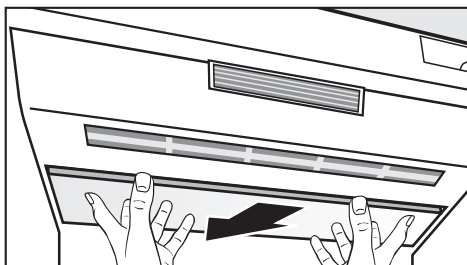
. . . the interior lighting is not working.

Has the appliance door been left open for too long? To avoid overheating, the lighting switches itself off automatically after approx. 5 minutes if the door is left open. It will come on again after it has cooled down sufficiently.

If it does not come on when the door is opened briefly, then the lighting is defective.

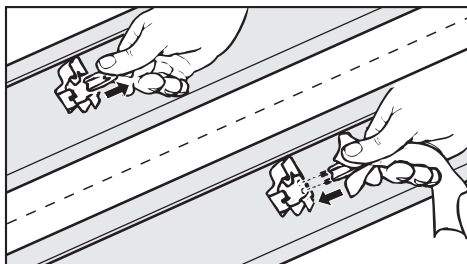
- Switch the appliance off by pressing the On/Off rocker switch to the right hand side underneath the control panel.
- Disconnect the appliance from the mains electricity supply.

Top lighting



- Hold the lamp cover at the front with both hands and push it back.
- Then lift the lamp cover forwards to remove.

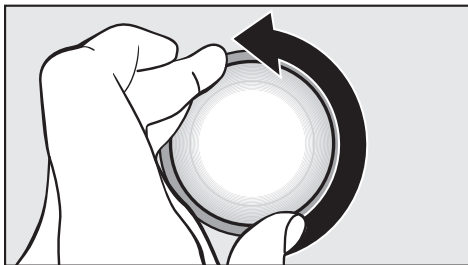
Do not touch halogen lamps with your bare fingers.
Use a soft cloth when changing a halogen lamp.



- Pull the defective halogen lamp out.
- Fit the new lamp into the holder.
The following type of halogen lamp is required:
20 W/12 V/GY 6.35 cap.
- Engage the lamp cover at the back, then pull it forward and click it into place at the front.

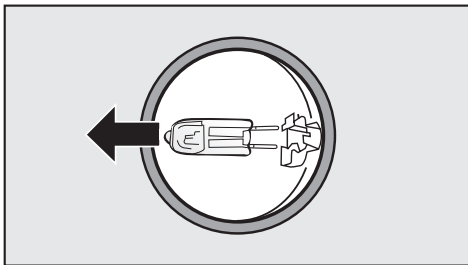
Problem solving guide . . ?

Side lighting



- Turn the lamp cover anti-clockwise to remove it.

Do not touch halogen lamps with your bare fingers.
Use a soft cloth when changing a halogen lamp.



- Pull the defective halogen lamp out.
- Fit the new lamp into the holder.
The following type of halogen lamp is required:
5 W / 12 V / G 4 cap.
- Replace the lamp cover, turning it clockwise as far as it will go.
- Reconnect the appliance to the electricity supply and switch it on.

If you still cannot remedy the fault having followed these suggestions, please contact the Miele Service Department.

To prevent unnecessary loss of temperature it is advisable not to open the door while waiting for the appliance to be serviced.

The appliance is supplied with a standard water filter that filters mains water for making ice cubes.

You can replace this with an active charcoal filter which improves the taste and smell of the ice cubes by removing chlorine and other substances from the mains water.

Replacement water filters (standard and active charcoal) are available from Miele.

To ensure the quality of the ice cubes remains high, it is essential to change the water filter regularly.

Please note:

- All ice cubes that are produced in the 24 hours after you have changed the water filter should be discarded.
- If you have not used the appliance or the ice cube maker much in the last few weeks, or if the ice cubes smell unpleasant, fit a new water filter.

Reminder to change the water filter

Depending on the amount of ice cubes being made, the water filter will need to be changed approx. every six months.



- When the reminder to change the water filter **lights up** red, this indicates that the filter will soon need to be changed.
- Make sure that you have a spare water filter ready to fit.

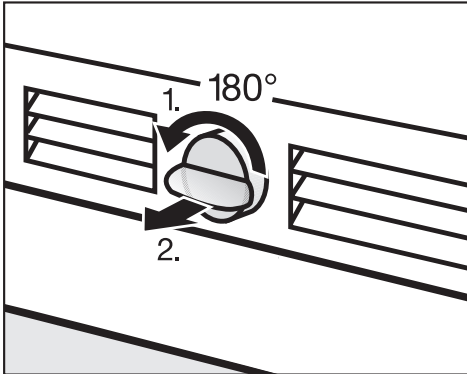
Replacement water filters (standard and active charcoal) are available from Miele.

- When the reminder to change the water filter **flashes** red, this indicates that the filter needs to be changed now.

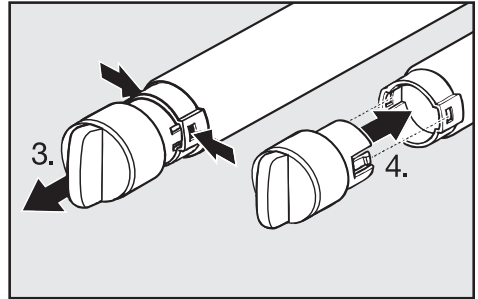
Water filter

To change the water filter

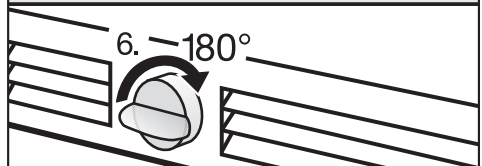
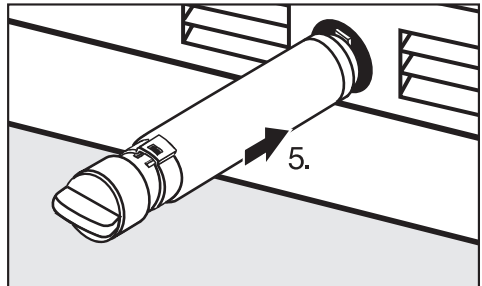
Air in the system can cause water to gush out and the filter to spring out when it is removed. Take great care, therefore, when changing the filter.



- Press the cap in and turn it 180° in an anti-clockwise direction (1).
- Remove the old filter cartridge (2).



- Remove the cap from the old filter cartridge (3).
- Take the new filter cartridge from its packaging, and remove the protective cover.
- Fit the cap on the new filter cartridge (4).



- Push the filter cartridge back into the opening, ensuring that it is straight (5).
- Turn the cap 180° in a clockwise direction until it is horizontal (6).



- After the filter has been changed, the reminder to change the filter will continue to flash in the display. Confirm that the filter has been changed.

To confirm that the water filter has been changed



- Place a finger on the water filter change display and leave it there.



- Place another finger on the access sensor (do not release the water filter change display) and keep both sensors covered for approx. 5 seconds, until a tone sounds.

The water filter change has now been confirmed and the reminder for the next filter change activated.

The reminder to change the filter will now go out in the display.

- Close the door.

Using an external water filter

If an external water filter is installed in the household, please leave the standard (bypass) filter in the appliance.

If you use an external water filter and therefore wish to deactivate the reminder to change the water filter, please contact the Miele Service Department.

All ice cubes that are produced in the 24 hours after you have changed the water filter should be discarded.

Noises

Normal noises	What causes them
Brrrrr...	Humming noise made by the motor (compressor). This noise can get louder for brief periods when the motor is switching on.
Blubb, blubb....	A gurgling noise can be heard when coolant is circulating through the pipes.
Click....	Clicking sounds are made when the thermostat switches the motor on and off.
Sssrrrrr....	On multi-zone and frost-free appliances you can sometimes just hear the movement of air circulating inside the appliance.
Creak ...	Creaking sounds can be heard when material inside the appliance expands.

Remember that the noise of the compressor and the coolant circulating in the system is unavoidable.

Noises that you can easily rectify	What causes them, and what can you do about them
Rattling, vibrating	The appliance is uneven: Realign the appliance using a spirit level, by raising or lowering the screw feet underneath the appliance.
	The appliance is touching another appliance or piece of furniture: Move it away.
	Drawers, baskets or shelves are unstable or sticking: Check all removable items and refit them correctly.
	Are any bottles or containers unstable or knocking against each other? Separate them.
	The transport cable clips are hanging loose at the back of the appliance: Remove the clips.

In the event of a fault which you cannot correct yourself, or if the appliance is under guarantee, please contact:

– your Miele Dealer

or

– Miele
(see back cover for contact details).

When contacting your Dealer or Miele, please quote the model and serial number of your appliance. This information is given on the data plate inside your appliance.

Please note that telephone calls may be monitored and recorded for training purposes.

N.B. A call-out charge will be applied for service visits where the problem could have been resolved as described in these instructions.

Guarantee

For information on the appliance guarantee specific to your country please contact Miele. See back cover for contact details.

In the U.K. your appliance is guaranteed for 2 years from the date of purchase. However, you must activate your cover by calling 0845 365 6640 or registering online at www.miele.co.uk.

Mains water connection

Notes on connecting to the mains water supply

Connection to the mains water supply should only be carried out by a qualified and competent person in strict accordance with national and local regulations.

The water quality must conform to the requirements for drinking water in the country the appliance is being installed in.

- This appliance meets the requirements of IEC 61770 and EN 61770.
- All items used for connecting the appliance to the mains water supply must comply with current national and local safety regulations in the country in which the appliance is being installed.
- The appliance is only suitable for connection to a cold water supply.
- The water pressure (flow rate) must be between 1.72 and 8.25 bar.
- The stainless steel hose is 3 m long. This can be extended using an extension hose which is available from the Miele Spare Parts Dept. It must be fitted by a qualified and competent person.
- A stopcock must be provided between the stainless steel hose and the household water supply to ensure that the water supply can be disconnected if necessary.

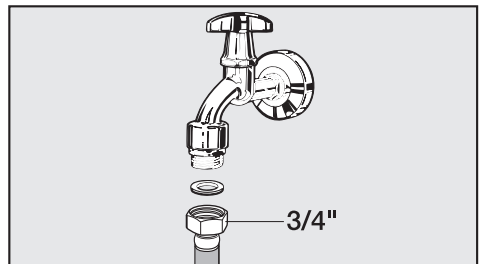
The stopcock should be easily accessible after the appliance has been built in.

Preparing for plumbing the appliance into the mains water supply

Plumbing connections must be correctly in place before the appliance is built in.

Before plumbing the appliance in, ensure that it is disconnected from the mains electricity supply.

Connection to the mains water supply should incorporate a mains stopcock with $\frac{3}{4}$ " thread.

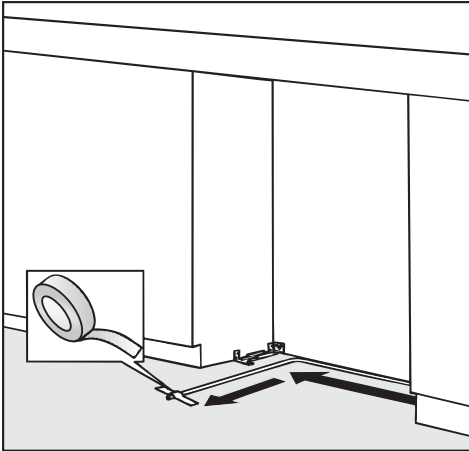


- Connect the stainless steel hose to the stopcock.
- Ensure that it is screwed into position correctly.

Mains water connection

Before using the appliance for the first time the water inlet pipe should be purged of air by a qualified and competent person.

- To do so the stainless steel hose should be filled as far as possible with water before being connected to the appliance.
- Mop up any spillages with a cloth.

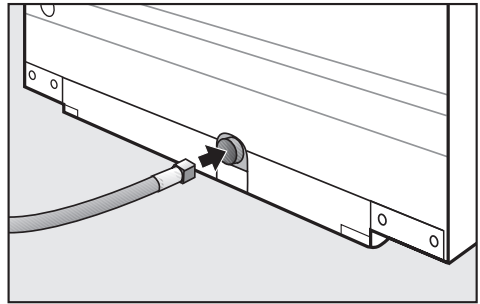


- Lay the stainless steel hose in the building-in niche as shown, and secure to the floor with adhesive tape.

This ensures that the hose cannot slip or get caught when the appliance is pushed back into the niche.

- The appliance can now be installed in the niche (see "Installation").

Appliances with an opening for feeding the hose through:



- Position the appliance in front of the building-in niche and feed the stainless steel hose through the opening at the back of the appliance.

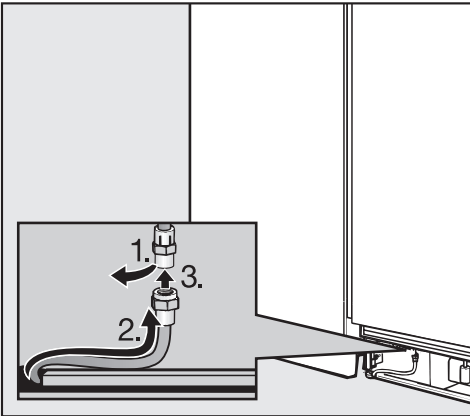
At this stage the building-in niche should be ready for the appliance to be pushed into the niche (see "Installation").

- Proceed with building in the appliance.

Mains water connection

Fitting the stainless steel hose to the appliance

When fitting the stainless steel hose, make sure that it is neither kinked nor damaged.



- Remove cap (1) from the water connection at the front of the appliance.
- Screw coupling nut (2) on stainless steel hose (3) onto the threaded union.
- Ensure that all connections are watertight.
- Turn on the stopcock slowly and check the whole water system for leaks.
- The appliance can then be connected to the electricity supply (see "Electrical connection").

After a maximum of 10 hours the first ice cubes will drop out of the ice cube maker and collect in the container.

Electrical connection U.K.

All electrical work should be carried out by a suitably qualified and competent person in strict accordance with current local and national safety regulations (BS 7671 in the UK).

The appliance is supplied with a mains cable and moulded plug ready for connection to an a.c. single phase 220-240 V 50 Hz supply.

Please ensure that the connection data quoted on the data plate match the household mains supply.

Connection should be made via a suitable switched socket which is easily accessible. For extra safety it is advisable to protect the appliance with a suitable residual current device (RCD).

Do not connect the appliance to the mains electricity supply by an extension lead. Extension leads do not guarantee the required safety of the appliance (e.g. danger of overheating).

This appliance must not be connected to the inverter of an autonomous power supply, e.g. a solar power system. When switching the appliance on, a surge in power could trigger the safety cut-out mechanism. This could damage the electronic unit.

The appliance must not be used with so-called energy saving devices. These reduce the energy supply to the appliance which could then become too warm. Using such devices could alter the specification of the product.

Non-rewireable plugs (BS 1363)

The fuse cover must be re-fitted when changing the fuse, and if the fuse cover is lost, the plug must not be used until a suitable replacement is obtained. The colour of the correct replacement cover is that of the coloured insert in the base of the plug, or the colour that is embossed in words in the base of the plug (as applicable to the design of the plug fitted).

Replacement fuses should be ASTA approved to BS 1362 and have the correct rating. Replacement fuses and fuse covers may be purchased from your local electrical supplier.

WARNING
THIS APPLIANCE MUST BE
EARTHED

Installation advice

Location

This appliance should be installed in a dry, well-ventilated room. It should not be installed where it is exposed to direct sunlight or directly adjacent to a heat-producing appliance such as an oven or a radiator. The room temperature should not go above or below the climate range for which the appliance is designed. The higher the ambient temperature of the room, the more energy the appliance requires to operate.

If installation near a heat source is unavoidable, use a suitable insulation panel and observe the following distances between the appliance and the heat source:

- 3 cm away from an electric oven or cooker
- 30 cm away from an oil- or coal-fired range.

Important: tropical / humid environments

During periods of high humidity, some condensation may appear on outside surfaces of cooling appliances. This condensation will disappear when humidity levels drop. For prevention, it is advisable to install the appliance with sufficient ventilation in a dry and/or an air-conditioned room.

Please ensure that doors are closing and sealing properly.

Please ensure that the appliance is installed in accordance with these installation instructions and that the handle is fitted correctly. Should you require further assistance please contact your Miele customer service centre.

Climate range

The appliance is designed for use within certain climate ranges (ambient temperatures) and should not be used outside this range. The climate range of the appliance is stated on the data plate.

Climate range	Ambient room temperature
SN	+10 °C to +32 °C
N	+16 °C to +32 °C
ST	+16 °C to +38 °C
T	+16 °C to +43 °C

Operating in a room which is too cold will result in the cooling system switching off for too long, causing the internal temperature in the appliance to rise with the risk of food deteriorating and going off or frozen food defrosting.

Safe operation of the appliance is only assured if it has been installed and connected in accordance with these operating and installation instructions.

Warning!

This appliance is very heavy and can tip forwards when the door is open. Keep the door shut until the appliance has been built in and secured within the building-in niche in accordance with these instructions.

Due to the size and weight of the appliance, installation must be carried out by two people.

The weight of the appliance when empty is:

F 1471 Vi 139 kg

Installation advice

Floor

To ensure the safe installation of the appliance and to guarantee its correct functioning, the floor to the niche where the appliance is to be installed must be smooth and even.

It must be made from strong, rigid material.

The appliance is extremely heavy when fully loaded, and for this reason it is imperative that the floor it stands on is able to bear its weight. If necessary, the advice of an architect or structural engineer should be sought.

When fully loaded, the approx. weight of the appliance is:

F 1471 Vi 228 kg

Door hinging

The appliance is supplied with fixed hinges. It is not possible to change the door hinging to the other side.

Adjoining furniture/units

The appliance is screwed to the adjoining furniture/units to the side and above.

For this reason, it is essential that all furniture/units be fixed to the ground and/or wall.

Ventilation

The ventilation gaps must not be covered or blocked in any way. They should be dusted on a regular basis.

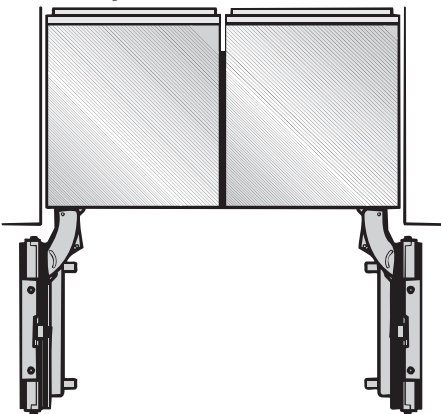
Side-by-side installation

This appliance may be installed "side-by-side" with another suitable refrigerator or freezer.

A side-by-side installation kit, available from Miele, is required. Ask your dealer which appliances are suitable for side-by-side installation with this appliance.

See the instructions supplied with the side-by-side installation kit for how to fix the appliances together.

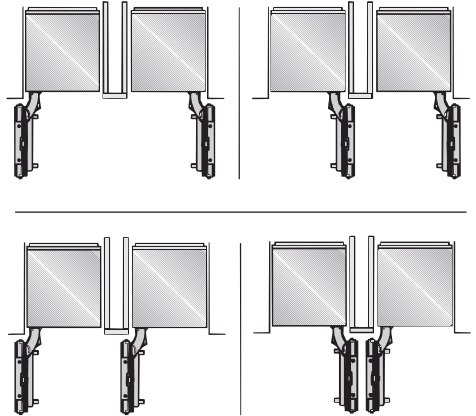
Joining the appliances together with the side-by-side installation kit



If the appliances are to be installed next to each other without a partition wall between them, they will need to be joined together using the side-by-side installation kit.

Installation with a partition wall using the side-by-side installation kit

The partition wall must be at least 16 mm thick.



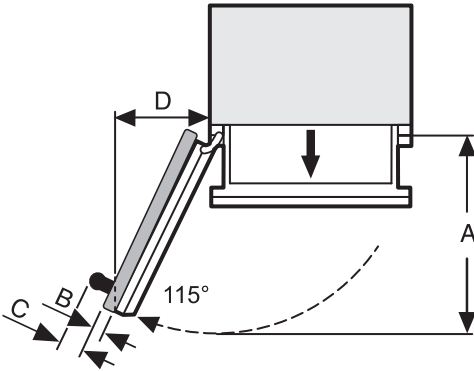
If the partition wall between the two appliances is **between 16 mm and 160 mm** thick, each appliance must be built into its own niche using the assembly parts supplied. The side-by-side installation kit is also required.

Installation with a partition wall without the side-by-side installation kit

If the partition wall between the two appliances is **more than 160 mm**, each appliance must each be built into its own niche using the assembly parts supplied (without using the side-by-side installation kit).

Installation advice

Appliance door dimensions (opening angle 115°)

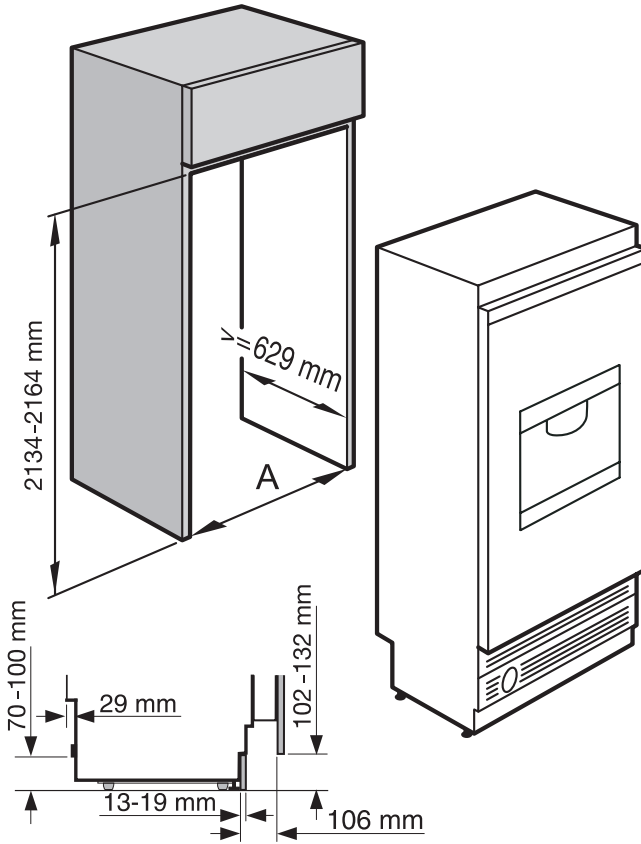


	A	B	C	D
F 1471 Vi	525 mm	Door front (max. 38 mm)*	Door handle*	234 mm

* The dimensions for the door fronts and handles will vary according to the individual kitchen.

Miele recommends using the full door opening angle of 115° for this freezer.

Building-in dimensions



Niche width

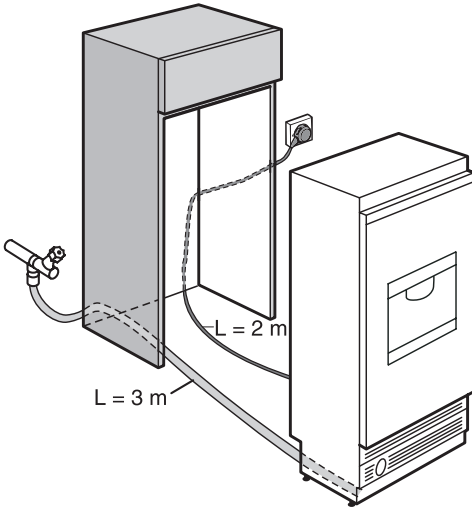
A

F 1471 Vi

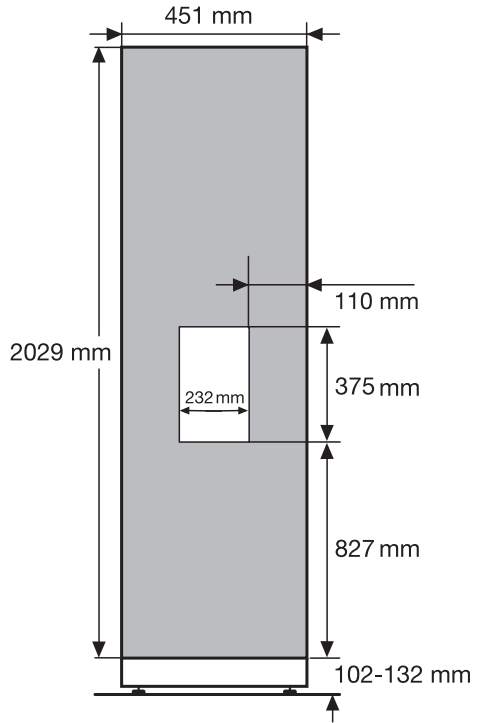
457 mm – 460 mm

Building-in dimensions

Laying the electrical cabling and the pipework for the mains water supply



Door front dimensions



Due to the size and weight of the appliance, it is essential that installation is carried out by two people.

Tools and accessories required

- Cordless screwdriver
- Torx screwdriver
- Hammer drill
- Drill bits in various sizes, depending on materials
- Hammer
- Socket wrench with: hexagonal bit (8 mm)
- Adhesive tape
- Pipe wrench
- Spirit level
- Try-square

To secure the housing unit to a wall behind:

- suitable wall plugs/fixing screws depending on the type of wall.
- additional fixing brackets as necessary

Other

- Step ladder
- Sack barrow
- Wooden beams (min. 75 mm x 100 mm) if required, to prevent tipping; length depends on width of building-in niche
- Wood screws in various sizes

Optional accessories

- Side-by-side installation kit for side-by-side installation of two appliances

Installation

Stainless steel fronts

Stainless steel fronts and stainless steel look plinth grilles are available from your dealer or the Miele Spare Parts Department.

Weight of the door front

Before fitting the door/drawer fronts, ensure that the weight of the fronts does not exceed the maximum permitted:

Appliance	Max. weight of door front in kg
F 1471 Vi	65

Fitting a door front which is heavier than the maximum permitted could damage the hinges.

Building into a peninsular run

When built into a peninsular run, the rear of the building-in niche must be fitted with a kitchen furniture panel.

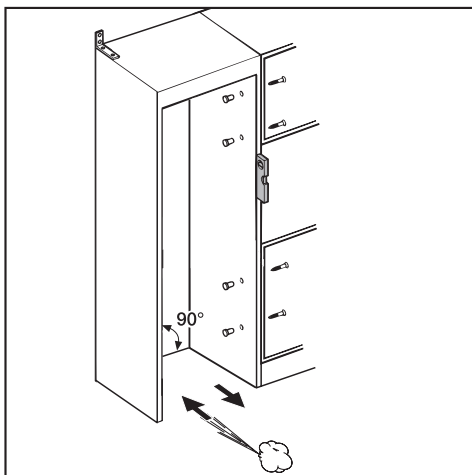
Building-in at the end of a run of units

If one side of the appliance is visible, a side panel is required.

The side panel must be fixed to the wall, the floor and any furniture/units above before the appliance is placed in the niche.

The size of the side panel must match that of the furniture panel opposite.

Aligning the housing unit



The housing unit must be carefully aligned using a spirit level before installing the appliance. The unit corners must be at right angles, as otherwise the furniture door will not align correctly with the 4 corners of the appliance.

- The side panels of the housing must be even.
- The housing unit panels must be at least 16 mm thick.
- The plinth facing must be at least 13 mm thick (or preferably 19 mm).

Checking the building-in niche

- The building-in dimensions now need to be checked.
- Check the position of the electrical and plumbing connections (see "Electrical connection" and "Mains water connection").
- Check that all surrounding furniture/units are securely fixed to the wall.
- Check the surrounding furniture/units for possible clashes when opening doors.

Before installation

Warning!

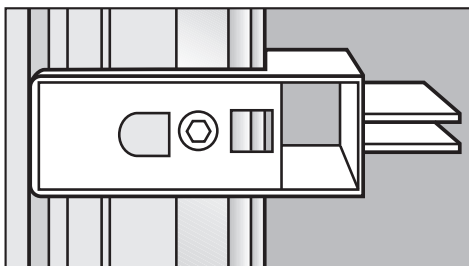
This appliance is very heavy and can tip forwards when the door is open.

- Before installation, take any accessories out of the appliance and/or from the back of the appliance.
- Remove any cable clips from the back of the appliance.
- Check that all parts at the back of the appliance are unhindered. Carefully remove any hindrance.

To protect the floor from damage when installing the appliance,

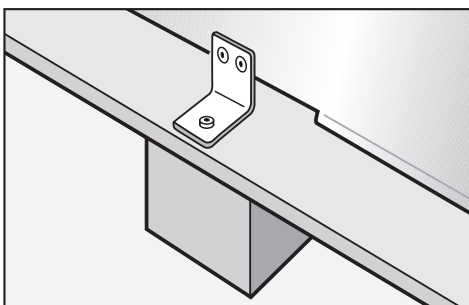
- secure an off-cut of flooring (e.g. lino) to the floor in front of the installation area.

Installation




- Do **not** remove the installation aids from the appliance door. These will be required later when the appliance is installed in the building-in niche.
- Check the appliance for damage during transportation.

Do not install a damaged appliance!




- Unscrew the bracket that is holding the appliance to the delivery pallet.

 **Warning!**
Please bear in mind that the appliance is no longer secured to the pallet!

- With the help of several people as required, carefully lift the appliance from the pallet, starting with the back of the appliance.

The appliance can be rolled along the floor using the wheels at the back.

Preparing the niche

 Keep the door to the appliance closed until it is fixed inside the building-in niche.

Due to the size and weight of the appliance, please ensure that once secured in the niche, it can no longer tip forwards.

Installation accessories

All the fixings required for installation are supplied with the appliance. The plastic bags are marked with letters for easy identification.

Each fitting stage is indicated by the letter on the bag needed for that stage.

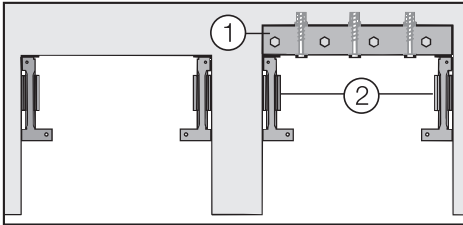


- Use the torx screwdriver supplied to tighten the screws.

Anti-tipping mechanism

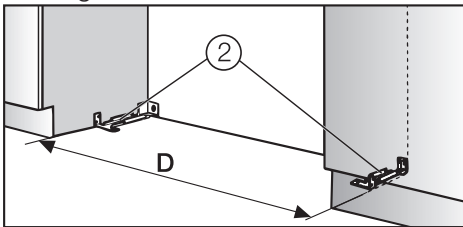
The anti-tipping mechanism ensures that the appliance is fixed securely into the building-in niche, preventing the appliance from tipping forwards.

Use two anti-tipping mechanisms for each appliance or side-by-side pair of appliances.



If the building-in niche is deeper than the appliance, screw a solid wooden beam ① to the floor and wall behind the anti-tipping mechanism ②.

The length of the wooden beam ① must be the same as the width of the building-in niche.



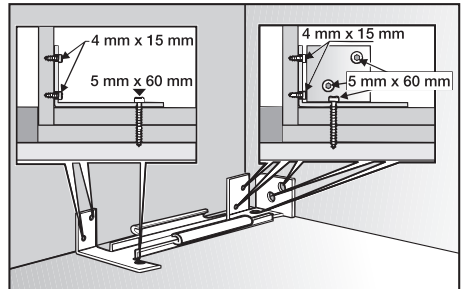
Gap "D" between anti-tipping mechanisms ② is exactly equal to the width of the appliance(s).



- Place anti-tipping mechanisms ② flush against the left- and right-hand sides of the niche.

- Mark the drilling position onto the niche floor, side and back walls through the holes in the anti-tipping mechanism ②.
- Put the anti-tipping mechanisms in a safe place - they will be required later.

Fixing screws for different uses and types of material are supplied in the accompanying pack. If these are not suitable for the anti-tipping mechanism in your installation, you will need to secure it by alternative means.



- Drill the following holes:
 - 3 mm diameter for the 5 x 60 mm screws
 - 2 mm diameter for the 4 x 15 mm screws



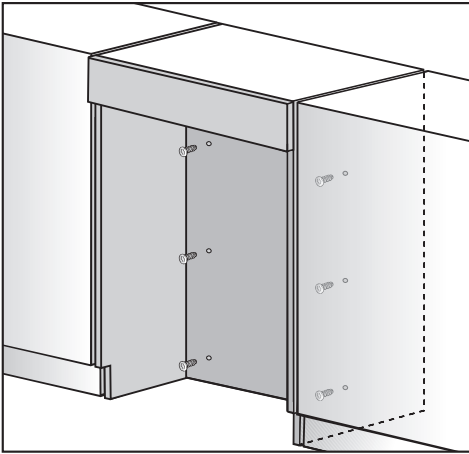
- The anti-tipping mechanisms can now be secured in the niche.

Make sure that the screws are at a depth of at least 19 mm in the floor and side walls of the niche.

Installation

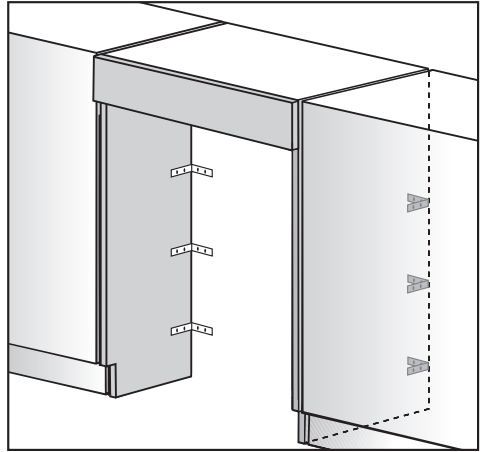
If the anti-tipping mechanism supplied cannot be fixed in the niche, the furniture unit must be firmly screwed to the wall behind to prevent the built-in appliance from tipping.

For a unit **with** a back panel



- screw the back panel directly onto the wall behind in a number of places. Use suitable wall plugs/fixing screws depending on the condition of the wall.

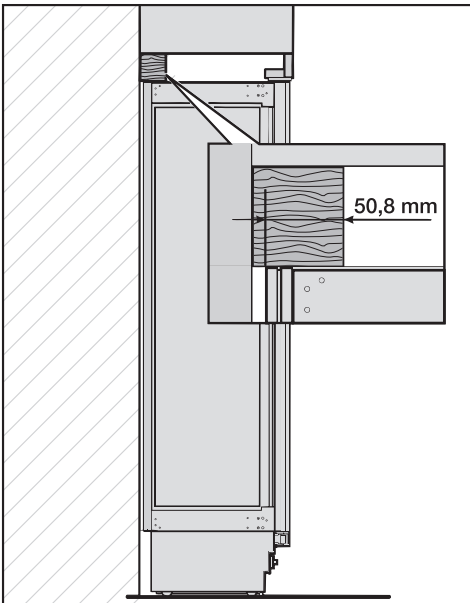
For a unit **without** a back panel



- screw the unit to the wall behind using a number of suitable angled fixing brackets. Use suitable wall plugs/fixing screws depending on the condition of the wall.

An alternative anti-tipping mechanism

The appliance can alternatively be secured with a wooden beam across the top of the appliance. If this method is used, then there must not be any gap between the appliance and the wooden beam.



- The wooden beam must be at least 75 mm x 100 mm thick.
- The length must be the same as the width of the building-in niche.
- If the building-in niche is deeper than the appliance, a thicker wooden beam should be used.
- The wood must cover the appliance to a depth of at least 50.8 mm (see diagram).

- Mark the position of the lower edge of the wooden beam on the rear wall of the building-in niche.
- Select screws of a length depending on the thickness of the wood.

Use the number of screws appropriate to the niche width to ensure that the wooden beam is securely fixed.

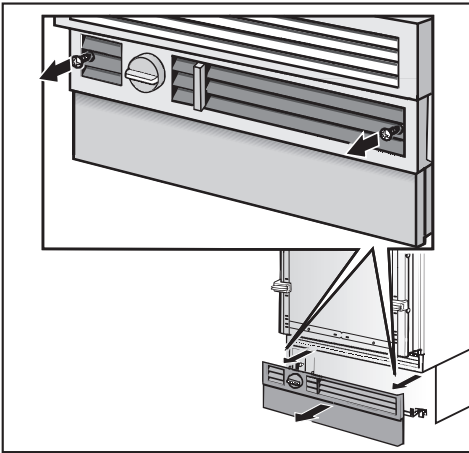
- Check where the upright wall supports are in the back of the niche, and mark the drill holes in the wooden beam accordingly.
- First, drill the holes in the wooden beam.
- Secure the wooden beam to the back wall of the niche.

Now prepare the mains water connection for the appliance (see "Mains water connection").

Installation

Placing the appliance in the niche

If you are installing two appliances side by side, now secure the appliances to one another (see the instructions for the side-by-side installation kit).



- Plug in the appliance ②.

Connection should be made via a suitable switched socket. The socket should be close to the appliance and easily accessible. Otherwise the appliance should be connected via an external all-pole switch with a sufficient contact gap in the open position.

When installing two appliances side by side, each appliance must have its own separate socket.

- Secure the cable to prevent it becoming caught:
Tie a piece of string to the middle of the cable, and as the appliance is being pushed into the niche, pull the cable forward underneath the appliance ③.

- Carefully push the appliance back into the niche, clipping the feet into the anti-tipping mechanisms ④.

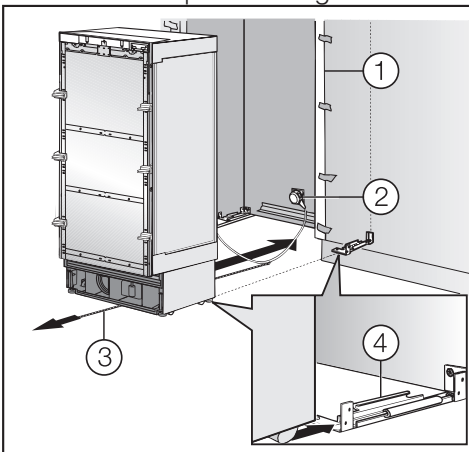
If the appliance does not slide easily into the niche (e.g. if the floor is uneven),

- adjust the rear feet slightly (see "Aligning the appliance").

Then push the appliance into the niche, taking care not to damage the electrical and mains water connections.

- Remove the edge protector ① from the adjacent furniture fronts.

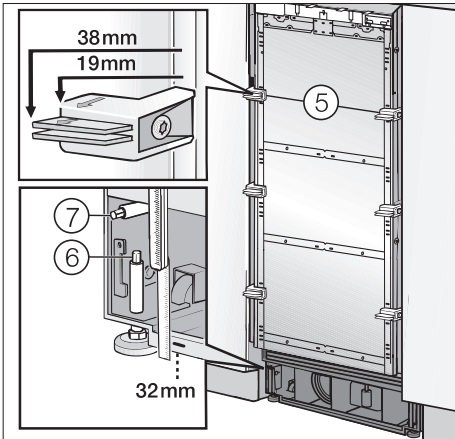
- Unscrew the plinth facing.



- Secure the edge protector supplied ① to protect the adjacent furniture fronts.

Aligning the appliance

- Align the appliance with neighbouring furniture fronts.



The installation aids ⑤ on the appliance door are suitable for the following thicknesses of furniture door front: 19 mm or 38 mm.

The adjustable feet at the front and back of the appliance can be adjusted from the front.

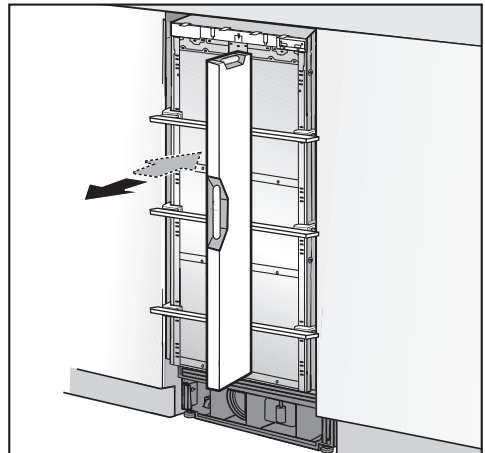
- Front feet:
Adjust from the top with a socket wrench with hexagonal bit (8 mm) ⑥.
- Rear feet:
Adjust with a (cordless) screwdriver or a socket wrench with hexagonal bit (8 mm) ⑦.
- Place a spirit level on the installation aids ⑤ on the appliance door to check the appliance's alignment.

Important:
work methodically when adjusting the feet: always alternately left, right, etc.

- A mark is located on the appliance base. When adjusting the height, this mark needs to be aligned at 32 mm from the floor. Unscrew the feet until the mark on the base has reached 32 mm. The 32 mm mark is for aligning the appliance in a niche height of 2134 mm.

Important:
Adjust the feet **only until** the marking on the socket has reached the 62 mm point (max. niche height 2164 mm).

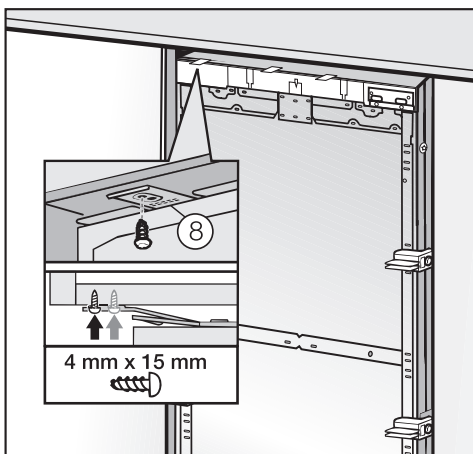
Otherwise the rear foot adjustment mechanism will get damaged.



- Check the alignment of the appliance again using the spirit level.
- If a wooden beam has been fitted above the appliance to prevent tipping, the appliance height needs to be adjusted to fit snugly under the wooden beam.

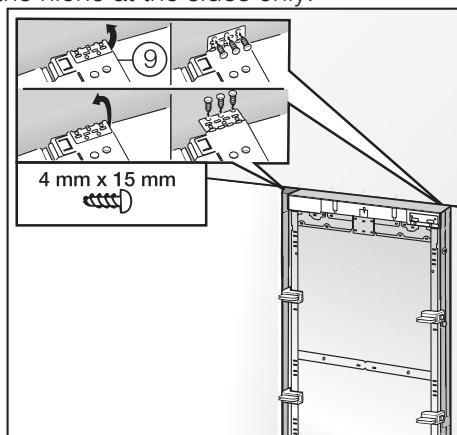
Installation

Securing the appliance in the niche



- Screw the lugs for the fixing plates ⑧ into the furniture/units above the appliance.

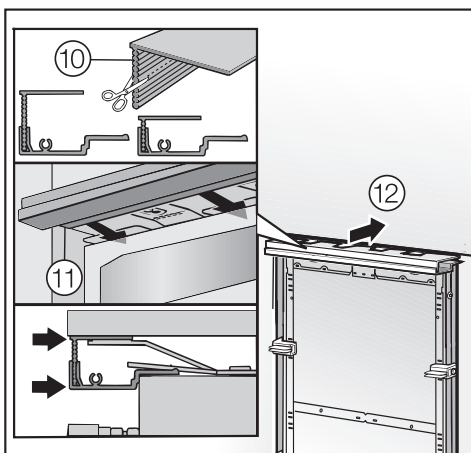
If it is not possible to secure the appliance above, it can be attached to the niche at the sides only.



- Pull out the lugs for the side fixing plates ⑨.

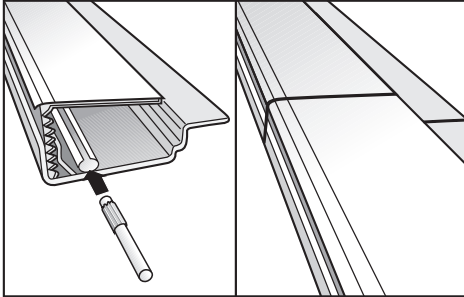


- Screw on the lugs for the side plates.



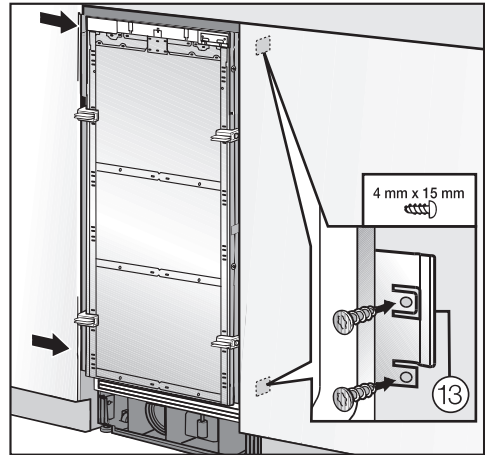
- If necessary, cut trim ⑩ to the necessary depth.
- Join the two pieces of trim together ⑪.
- Click them into position ⑫.

When installing two appliances **side by side**, the filler strips for the two appliances need to be joined together to form one long strip.



- Insert the joining peg from the side-by-side kit halfway into the channel in the filler strip for the left-hand appliance.
- Then insert the free half of the joining peg into the channel on the other strip, and press the two strips together.
- Click the two filler strips into place above the appliances.

- Open the appliance door.



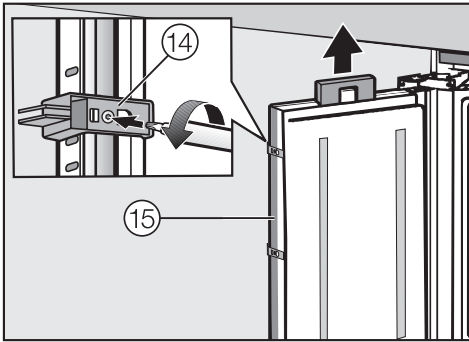
- Screw the lugs for the fixing plates ⑬ into the furniture/units adjacent to the appliance.

In a side-by-side combination, only the external panels of the two appliances can be secured to the furniture wall.

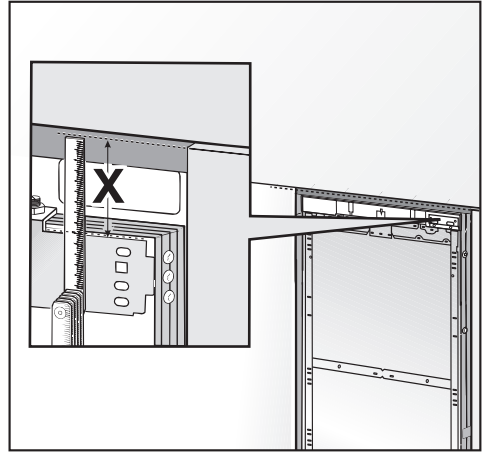
Connect the appliance to the water inlet hose (see "Mains water connection").

Installation

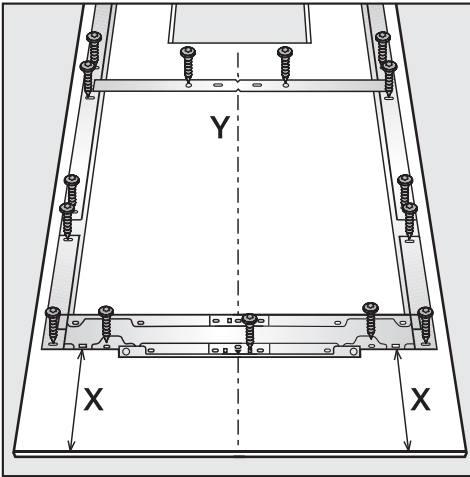
Preparing the furniture front



- Remove the door basket.
- Open the appliance door as far as it will go.
- Unscrew the installation aids ⑭ and angle trim ⑮ from the appliance door.
- Put the angle trim ⑮ and screws in a safe place - they will be required later.
- Take the cover off the light contact switch.
- Close the appliance door.



- Measure gap **X** between the adjusting bar and the upper edge of the adjacent furniture front.
- Remove the two nuts from the appliance door, and place them in a safe place - they will be required later.
- Place the furniture front on a firm surface, with the external side facing downwards (place on a blanket or similar to avoid it becoming scratched).

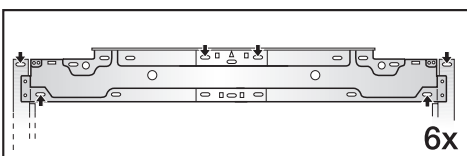


- The fixing frame has several different types of holes to take account of a variety of furniture fronts.
- When securing the frame, always screw into the strongest part of the furniture door.
- To do this, select screws which are slightly shorter than the thickness of the furniture door.
- Screw the appliance handle to the furniture door from the inside.

- Mark gap **X** on the inside of the furniture front.
- Similarly, locate and mark the midpoint **Y** on the furniture front.
- Remove the fixing frame from the appliance door and position it corresponding to the markings on the furniture front.
- Pre-drill the holes.
- Screw the fixing frame to the furniture front, using at least one screw for each fixing point.

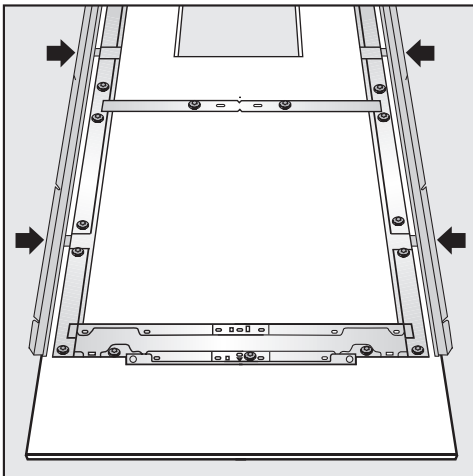


- Secure the fixing frame to the top of the furniture front, using at least 6 screws:

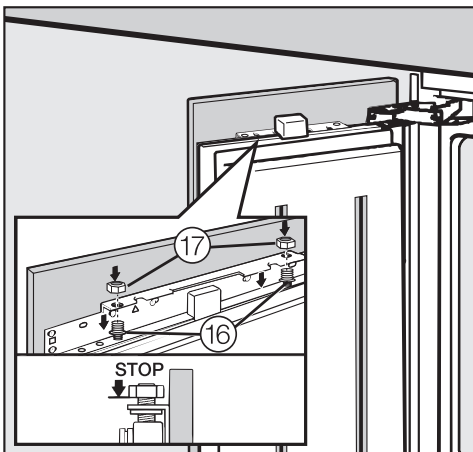


Installation

Securing and aligning the furniture door

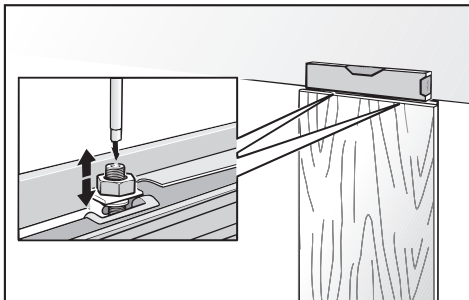


- Insert the angle trim as far as it will go into the spaces in the frame, as shown.



- Open the appliance door and hang the furniture front on its frame onto the threaded bolts, as shown 16

- Press the angle trim on both sides into the white plastic frame, and screw them down securely.
- Screw the nuts 17 loosely onto the threaded bolts - but do not tighten yet.
- Close the appliance door and check the distance between the door and neighbouring furniture doors.

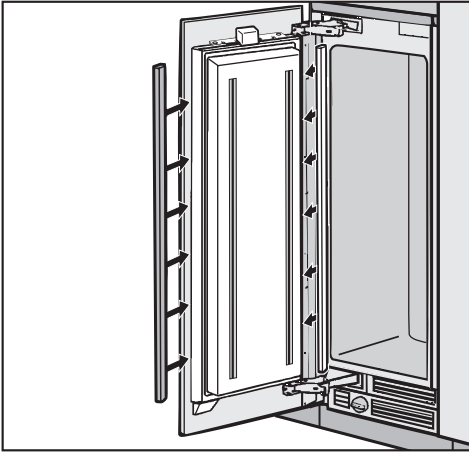


- Align the door to the side by sliding it over the threaded bolts.

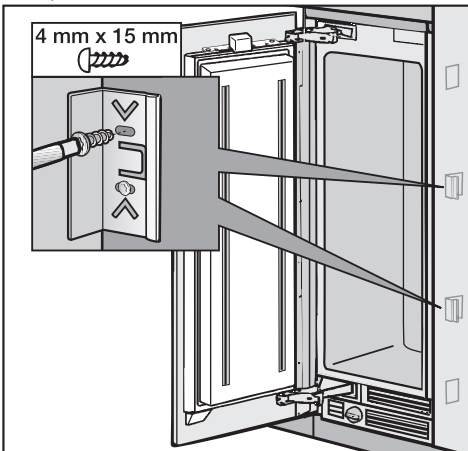


- Align the depth of the door via the gaps in the angle trim. Then screw the angle trim into position.
- Now screw on the top nuts. The door is now fixed.

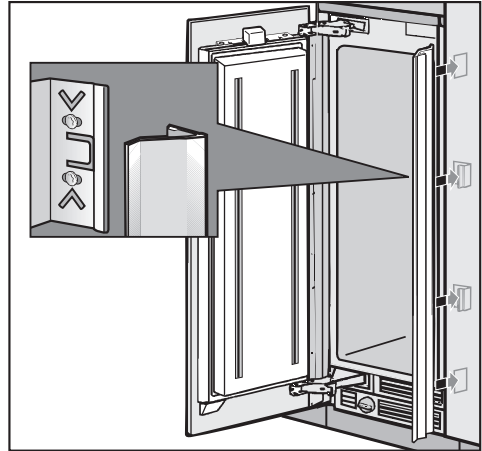
Securing the covers



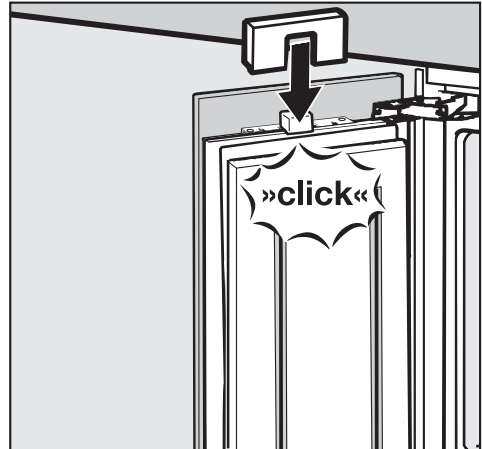
- Fit the two cover strips to the sides of the appliance door, clicking them into the space between the appliance door and the furniture front, starting at the bottom and working up to the top.



- Secure the retaining clips for the space covers on both sides.



- Now attach the covers onto the retaining clips on both sides. In the case of side-by-side installation, the cover strips are only required on the outer side.



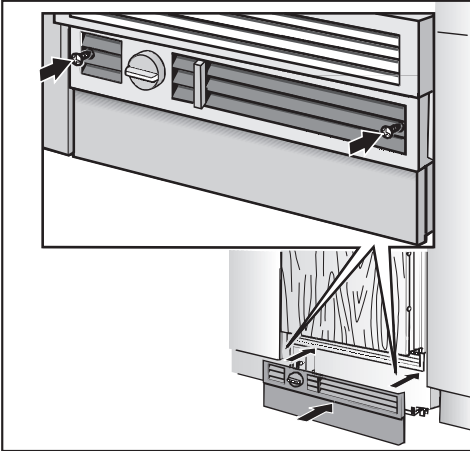
- Fit the cover to the light contact switch so that it clicks into place as shown.

Installation

Fitting the plinth facing

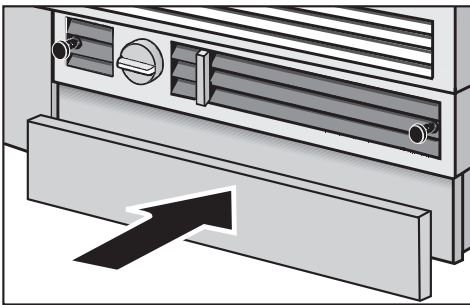
Do not cover the vents in the plinth. This could result in damage to the appliance.

- Trim the plinth facing to the required length and height (cut along the lower edge of the plinth facing where it touches the floor).



G

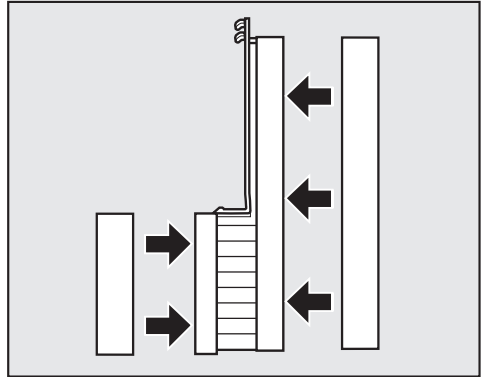
- Secure the plinth to the appliance, and attach the cover caps supplied.



- Now fit the plinth facing.

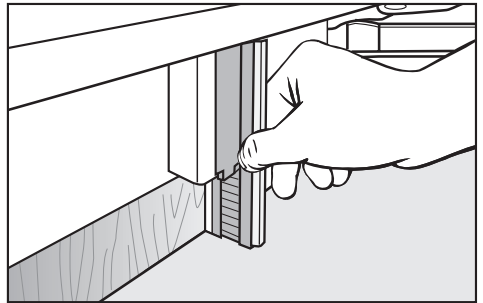
Fitting the air separator

The air separator in the vent underneath separates air entering the appliance from that leaving it. It also stops warm air flowing into the appliance, which would cause a short circuit.



H

- If necessary the three parts of the air separator can be shortened to the correct height.
- Replace the foam parts in the sides.
- Open the appliance door.

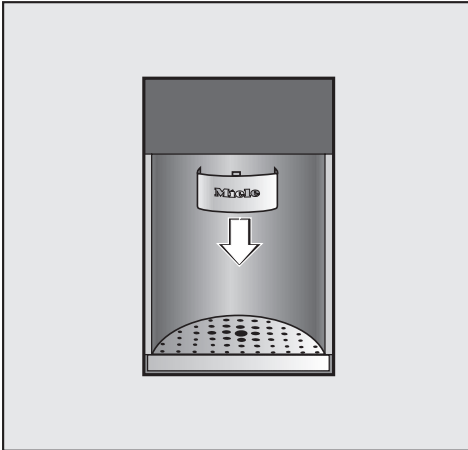


- Clip the air separator to the appliance door from below, making sure it clicks into position.

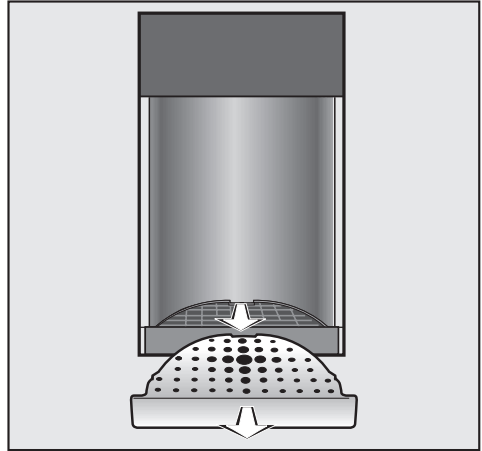
Aligning the ice/water dispenser

If necessary the depth of the ice/water dispenser can be aligned to line up with the furniture front.

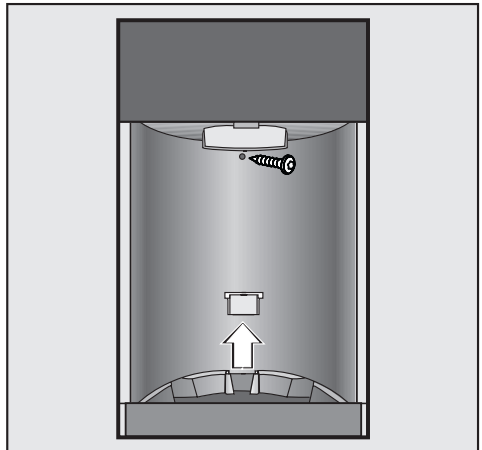
Disconnect the appliance from the mains.



- Push back on the dispenser spout and then pull it downwards to remove it.

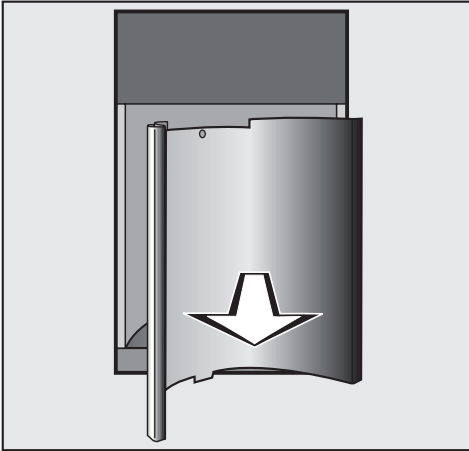


- Remove the drip tray cover and the grid.

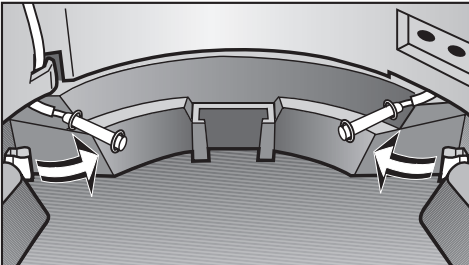


- Loosen the screws in the back cover.
- Pull the locking device up out of the drip tray.

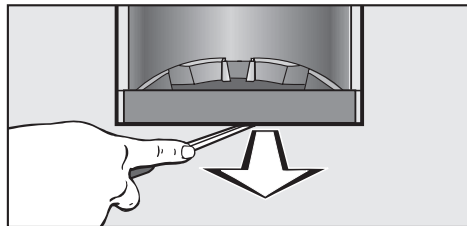
Installation



- Remove the rear cover.

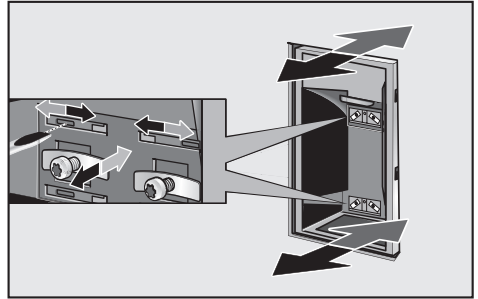


- Loosen the level sensors and carefully bend them upwards.



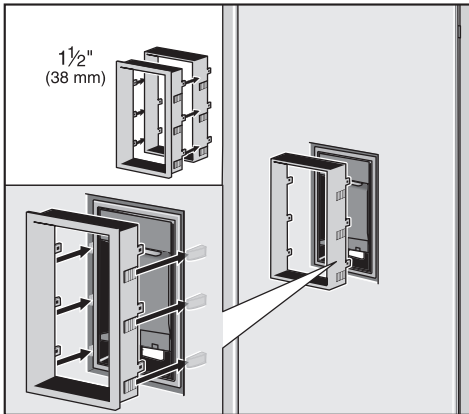
- Remove the drip tray. If necessary use a screwdriver to gently lever it out.

Once the drip tray has been removed you can align the position of the ice/water dispenser using the four metal strips.



- Loosen the screws in the four metal strips.
- Then insert a screwdriver into one of the four slits and push the ice/water dispenser sideways until it is correctly aligned with the furniture front. The grey arrow indicates alignment to the rear and the black arrow shows the alignment to the front.
- Tighten the screws in the four metal strips.
- Replace the drip tray and clip the level sensors back into position.
- Refit the rear cover and the locking device and then screw the rear cover back on.
- Replace the grille and the drip tray cover.
- Replace the dispenser spout.

Securing the ice/water dispenser frame



The word "TOP" is marked on the rear of the frame at the top.

With 19 mm thick furniture fronts:

- Fit the frame onto the ice/water dispenser and press it firmly into position so that it sits evenly with the furniture front.

With 38 mm thick furniture fronts:

- Fit the secondary trim to the frame.
- Fit the frame onto the ice/water dispenser and press it firmly into position so that it sits evenly with the furniture front.

United Kingdom

Miele Co. Ltd.
Fairacres, Marcham Road
Abingdon, Oxon, OX14 1TW
Tel: 0845 365 0555
Fax: 0845 365 0777
Customer Contact Centre Tel: 0845 365 6600
E-mail: info@miele.co.uk
Internet: www.miele.co.uk

Australia

Miele Australia Pty. Ltd.
ABN 96 005 635 398
1 Gilbert Park Drive, Knoxfield, VIC 3180
Tel: (03) 9764 7130, Fax: (03) 9764 7149
Internet: www.miele.com.au

China

Miele (Shanghai) Trading Ltd.
1-3 Floor, No. 82 Shi Men Yi Road
Jing' an District
200040 Shanghai, PRC
Tel: +86 21 6157 3500
Fax: +86 21 6157 3511
E-mail: mieleshanghai@cn.miele.com
Internet: www.miele.cn

Miele (Hong Kong) Limited

41/F - 4101, Manhattan Place
23 Wang Tai Road
Kowloon Bay
Hong Kong
Tel: (852) 2610 1331
Fax: (852) 2610 1013
Email: mielehk@miele.com.hk

India

Miele India Pvt. Ltd.
Ground Floor, Copia Corporate Suites
Plot No. 9, Jasola
New Delhi - 110025
Tel: 011-46 900 000, Fax: 011-46 900 001
E-mail: customercare@miele.in
Internet: www.miele.in

Manufacturer: Germany - Miele & Cie. KG
Carl-Miele-Straße 29, 33332 Gütersloh

Miele

Ireland

Miele Ireland Ltd.
2024 Bianconi Avenue
Citywest Business Campus, Dublin 24
Tel: (01) 461 07 10, Fax: (01) 461 07 97
E-Mail: info@miele.ie, Internet: www.miele.ie

New Zealand

Miele New Zealand Limited
Unit L, 10-20 Sylvia Park Road
Mt. Wellington, 1060, Auckland, NZ
Tel: 0800 264 353, Fax: 0800 463 453
Internet: www.miele.co.nz

Singapore

Miele Southeast Asia
Miele Pte. Ltd.
163 Penang Road
04 - 02/03 Winstland House II
Singapore 238463
Tel: +65 6735 1191, Fax: +65 6735 1161
E-Mail: infosea@miele.com.sg
Internet: www.miele.sg

South Africa

Miele (Pty) Ltd
63 Peter Place, Bryanston 2194
P.O. Box 69434, Bryanston 2021
Tel: +27 (0) 11 548-1900
Fax: +27 (0) 11 548-1935
E-mail: info@miele.co.za
Internet: www.miele.co.za

United Arab Emirates

Miele Appliances Ltd.
P.O. Box 11 47 82
Gold & Diamond Park
Sheikh Zayed Road
Building 6 / Offices Nos. 6-214 to 6-220
Dubai
Tel: +971-4-341 84 44
Fax: +971-4-341 88 52
E-Mail: info@miele.ae
Internet: www.miele.ae